

DORMER PRAMET

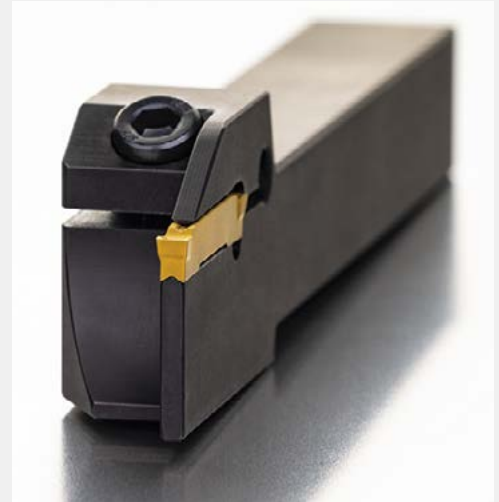
NEW PRODUCTS

2020



2 ■ **TURNING**

- 4** • GL
Reliable deeper parting-off & grooving
of steels and stainless steels
- 15** • X61 / P61
Effective production of circlips
and o-ring grooves
- 23** • PSC
Quick change turning tools with high
connection accuracy
- 52** • Threading inserts
- 55** • New items list



56 ■ **MILLING**

- 58** • SSN11 / SNGX11
High feed milling with eight indexes
up to 1.7 mm depth
- 64** • ADMX 07
New F geometry for vibration
sensitive machining



New items only are listed in this brochure. This icon is used to identify where there is an existing assortment available and includes the relevant page number from the Pramet 2019 catalog.

- Main application
- ▣ Secondary application

TURNING





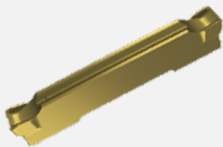
RELIABLE DEEPER PARTING-OFF & GROOVING OF STEELS AND STAINLESS STEELS

Our offer of parting-off and grooving systems has been expanded with a new range of double-edged inserts in various widths and an assortment of tools for general and small part machining. This is supported by a new designation that will allow you to easily select the appropriate insert and tool.

FEATURES & BENEFITS

- 25mm long double edged inserts
- Broader range of widths from 2mm to 6mm
- Versatile G8330 PVD grade
- PR geometry – first choice for parting-off bars and grooving of interrupted cuts
- PM geometry – first choice for austenitic stainless steels and soft steels
- External tools from 16x16mm to 25x25mm with new advanced design
- Universal tool-blades 26mm and 32mm with special clamping key
- **Deep parting-off & grooving** – up to 60% deeper grooving capacity thanks to the inserts length
- **Improved operation reliability** on steels and stainless steels through a unique combination of new grade, insert and tool design
- **High quality surface finish** due to enhanced vibration resistance
- **Setup time savings** – when machining small parts due to accessible clamping screw [30° angled] and easy one-hand insert replacement
- **Prolonged tool life** with increased build up edge resistance [PM] / increased cutting edge strength [PR]

INSERT GEOMETRIES

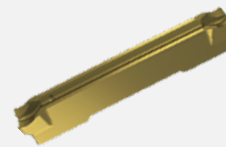


NEW

PR

GEOMETRY PR

- First choice for parting-off bars and interrupted cuts
- Universal choice for a wide range of machining conditions



NEW

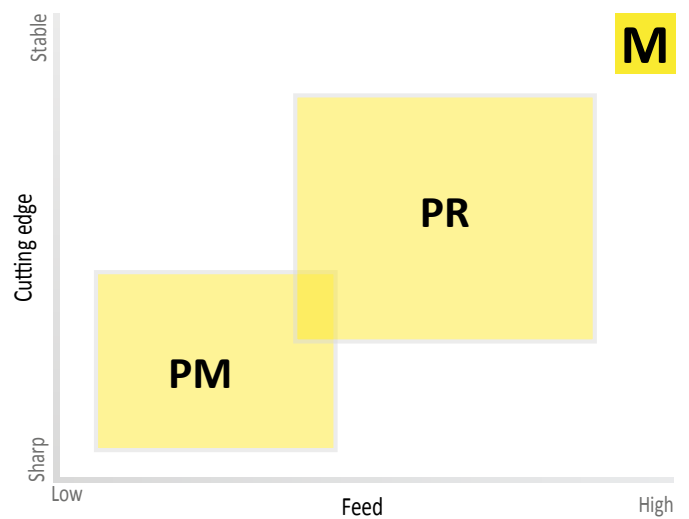
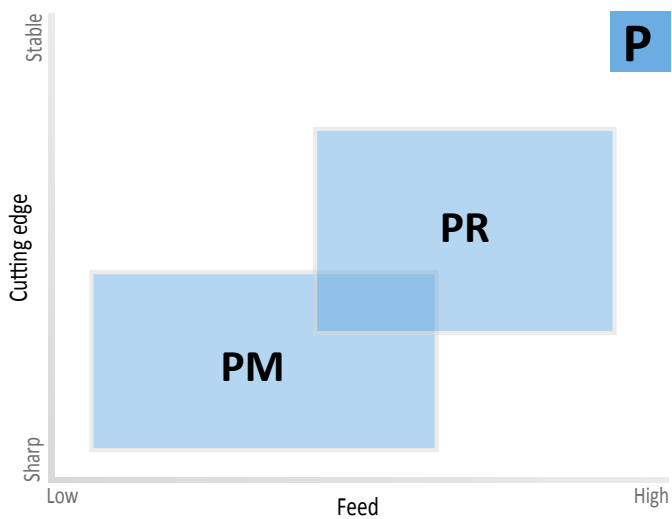
PM

GEOMETRY PM

- First choice for austenitic stainless steels and parting-off tubes



AREA OF APPLICATION



MACHINING EXAMPLE

Operation: Parting-off
 Material: C45
 Material group: P
 Insert: GL3-D300M02-PR, GL3-D300M02-PM
 Holder: GL3-S2525MFL-20-80
 Coolant: Yes


Insert geometry			PR	PM
Workpiece:			⬡ Bar	Tube
Cutting speed	v_c	m/min	140	140
Feed	f	mm/rev	0,14	0,1
Depth of cut	a_p	mm	20	10

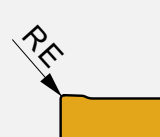



CODE DESIGNATION – PARTING OFF AND GROOVING INSERTS

1	2	3	4	5	6	7	8
GL	3	D	300	G	02	L06	PM

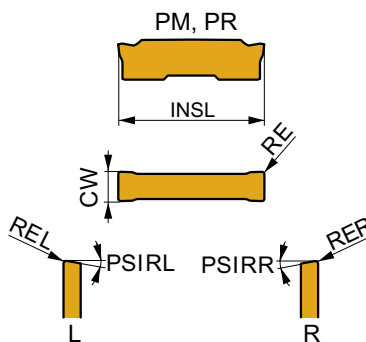


1	2	3	4																		
Tool group	Pocket size	Number of edges	Cutting width - CW																		
GL	1, 2, 3, 4, 5, 6	<table border="1"> <tr> <td>S</td> <td>One edge</td> </tr> <tr> <td>D</td> <td>Two edges</td> </tr> </table>	S	One edge	D	Two edges	 <table border="1"> <tr> <td></td> <td>CW</td> </tr> <tr> <td>200</td> <td>2,00</td> </tr> <tr> <td>250</td> <td>2,50</td> </tr> <tr> <td>300</td> <td>3,00</td> </tr> <tr> <td>400</td> <td>4,00</td> </tr> <tr> <td>500</td> <td>5,00</td> </tr> <tr> <td>600</td> <td>6,00</td> </tr> </table>		CW	200	2,00	250	2,50	300	3,00	400	4,00	500	5,00	600	6,00
	S		One edge																		
D	Two edges																				
	CW																				
200	2,00																				
250	2,50																				
300	3,00																				
400	4,00																				
500	5,00																				
600	6,00																				

5	6	7	8																		
Edge design	Nose radius	Primary cutting edge angle	Chipbreaker design																		
<table border="1"> <tr> <td>G</td> <td>Ground</td> </tr> <tr> <td>M</td> <td>Direct pressed</td> </tr> </table>	G	Ground	M	Direct pressed	 <table border="1"> <tr> <td></td> <td>RE [mm]</td> </tr> <tr> <td>02</td> <td>0,2</td> </tr> <tr> <td>03</td> <td>0,3</td> </tr> <tr> <td>04</td> <td>0,4</td> </tr> </table>		RE [mm]	02	0,2	03	0,3	04	0,4	 <table border="1"> <tr> <td></td> <td>[°]</td> </tr> <tr> <td>06</td> <td>6</td> </tr> <tr> <td>12</td> <td>12</td> </tr> </table>		[°]	06	6	12	12	PM PR
G	Ground																				
M	Direct pressed																				
	RE [mm]																				
02	0,2																				
03	0,3																				
04	0,4																				
	[°]																				
06	6																				
12	12																				

GL. D

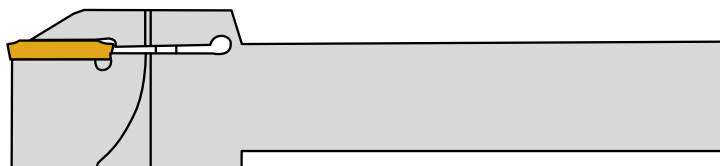
	CW	CWTOLL	CWTOLU	INSL
200	2,00	0,05	0,05	25
250	2,50	0,05	0,05	25
300	3,00	0,05	0,05	25
400	4,00	0,05	0,05	25
500	5,00	0,05	0,05	25
600	6,00	0,05	0,05	25



i		ISO		P	M	K	N	S	H	?		RE	FN	FX	PSIRL	PSIRR
		GL2-D200M02-PM	G8330	■	■	▣				●	+++	02	0,05	0,12	-	-
		GL2-D200M02-PM	T7325	▣	■					●	+++	02	0,05	0,12	-	-
		GL3-D250G02-PM	G8330	■	■	▣				●	+++	02	0,05	0,15	-	-
		GL3-D300M02-PM	G8330	■	■	▣				●	+++	02	0,05	0,15	-	-
		GL3-D300M02-PM	T7325	▣	■					●	+++	02	0,05	0,15	-	-
		GL4-D400M02-PM	G8330	■	■	▣				●	+++	02	0,08	0,18	-	-
		GL4-D400M02-PM	T7325	▣	■					●	+++	02	0,08	0,18	-	-
		GL5-D500M03-PM	G8330	■	■	▣				●	+++	03	0,1	0,21	-	-
		GL6-D600M03-PM	G8330	■	■	▣				●	+++	03	0,1	0,24	-	-
		GL2-D200G02R06-PM	G8330	■	■	▣				●	+++	02	0,05	0,12	-	6
		GL2-D200G02R06-PM	T7325	▣	■					●	+++	02	0,05	0,12	-	6
		GL2-D200G02R12-PM	G8330	■	■	▣				●	+++	02	0,05	0,15	-	12
		GL3-D300G02R06-PM	G8330	■	■	▣				●	+++	02	0,05	0,15	-	6
		GL3-D300G02R06-PM	T7325	▣	■					●	+++	02	0,05	0,15	-	6
		GL3-D300G02R12-PM	G8330	■	■	▣				●	+++	02	0,05	0,15	-	12
		GL4-D400G02R06-PM	G8330	■	■	▣				●	+++	02	0,08	0,18	-	6
		GL4-D400G02R06-PM	T7325	▣	■					●	+++	02	0,08	0,18	-	6
		GL4-D400G02R12-PM	G8330	■	■	▣				●	+++	02	0,08	0,18	-	12
		GL2-D200G02L06-PM	G8330	■	■	▣				●	+++	02	0,05	0,12	6	-
		GL2-D200G02L06-PM	T7325	▣	■					●	+++	02	0,05	0,12	6	-
		GL2-D200G02L12-PM	G8330	■	■	▣				●	+++	02	0,05	0,15	12	-
		GL3-D300G02L06-PM	G8330	■	■	▣				●	+++	02	0,05	0,15	6	-
		GL3-D300G02L06-PM	T7325	▣	■					●	+++	02	0,05	0,15	6	-
		GL3-D300G02L12-PM	G8330	■	■	▣				●	+++	02	0,05	0,15	12	-
		GL4-D400G02L06-PM	G8330	■	■	▣				●	+++	02	0,08	0,18	6	-
		GL4-D400G02L06-PM	T7325	▣	■					●	+++	02	0,08	0,18	6	-
		GL4-D400G02L12-PM	G8330	■	■	▣				●	+++	02	0,08	0,18	12	-
		GL2-D200M02-PR	G8330	■	▣	▣				☹	+++	02	0,05	0,16	-	-
		GL2-D200M02-PR	T7325	■	▣					●	+++	02	0,05	0,16	-	-
		GL3-D300M02-PR	G8330	■	▣	▣				☹	+++	02	0,05	0,2	-	-
		GL3-D300M02-PR	T7325	■	▣					●	+++	02	0,05	0,2	-	-
		GL4-D400M02-PR	G8330	■	▣	▣				☹	+++	02	0,08	0,25	-	-
		GL4-D400M02-PR	T7325	■	▣					●	+++	02	0,08	0,25	-	-
		GL5-D500M04-PR	G8330	■	▣	▣				☹	+++	04	0,1	0,28	-	-
		GL6-D600M04-PR	G8330	■	▣	▣				☹	+++	04	0,1	0,32	-	-
		GL2-D200G02R06-PR	G8330	■	▣	▣				●	+++	02	0,05	0,16	-	6
		GL2-D200G02R12-PR	G8330	■	▣	▣				●	+++	02	0,05	0,16	-	12
		GL3-D300G02R06-PR	G8330	■	▣	▣				●	+++	02	0,05	0,2	-	6
		GL3-D300G02R12-PR	G8330	■	▣	▣				●	+++	02	0,05	0,2	-	12
		GL4-D400G02R06-PR	G8330	■	▣	▣				●	+++	02	0,08	0,25	-	6
		GL4-D400G02R12-PR	G8330	■	▣	▣				●	+++	02	0,08	0,25	-	12
		GL2-D200G02L06-PR	G8330	■	▣	▣				●	+++	02	0,05	0,16	6	-
		GL2-D200G02L12-PR	G8330	■	▣	▣				●	+++	02	0,05	0,16	12	-
		GL3-D300G02L06-PR	G8330	■	▣	▣				●	+++	02	0,05	0,2	6	-
		GL3-D300G02L12-PR	G8330	■	▣	▣				●	+++	02	0,05	0,2	12	-
		GL4-D400G02L06-PR	G8330	■	▣	▣				●	+++	02	0,08	0,25	6	-
		GL4-D400G02L12-PR	G8330	■	▣	▣				●	+++	02	0,08	0,25	12	-

CODE DESIGNATION – PARTING OFF AND GROOVING HOLDERS (EXTERNAL TURNING)

1 2 - 3 4 5 6 7 - 8 - 9 10 11
GL **3** - **S** **2525** **M** **F** **L** - **20** - **R** **120** **090**



1	2	3	4								
Tool group	Pocket size	Shank type	Shank dimensions								
GL	1, 2, 3, 4, 5, 6 	A steel shank with internal coolant	<table border="1"> <thead> <tr> <th></th> <th>H/B [mm]/ [mm]</th> </tr> </thead> <tbody> <tr> <td>1616</td> <td>16/16</td> </tr> <tr> <td>2020</td> <td>20/20</td> </tr> <tr> <td>2525</td> <td>25/25</td> </tr> </tbody> </table>		H/B [mm]/ [mm]	1616	16/16	2020	20/20	2525	25/25
				H/B [mm]/ [mm]							
1616	16/16										
2020	20/20										
2525	25/25										
		S steel shank without internal coolant									

5	6	7	8														
Holder total length - LF	Tool style - cutting edge angle	Version (right/left)	Cutting depth maximum - CDX														
<table border="1"> <thead> <tr> <th></th> <th>LF [mm]</th> </tr> </thead> <tbody> <tr> <td>K</td> <td>125</td> </tr> <tr> <td>M</td> <td>150</td> </tr> <tr> <td>P</td> <td>170</td> </tr> </tbody> </table>		LF [mm]	K	125	M	150	P	170	<table border="1"> <thead> <tr> <th></th> <th>°</th> </tr> </thead> <tbody> <tr> <td>G</td> <td>0</td> </tr> <tr> <td>F</td> <td>90</td> </tr> </tbody> </table>		°	G	0	F	90		
	LF [mm]																
K	125																
M	150																
P	170																
	°																
G	0																
F	90																

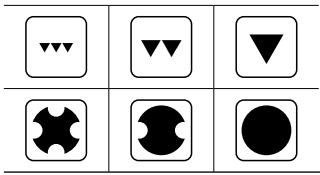
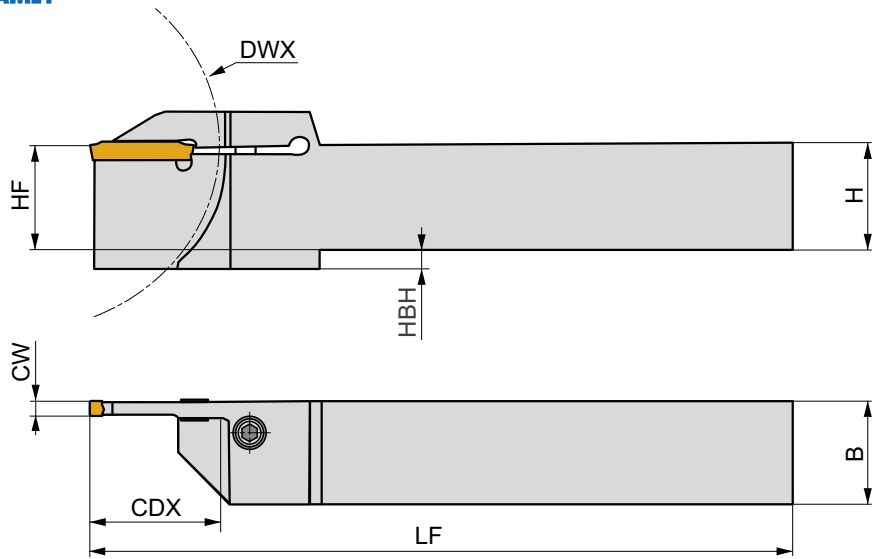
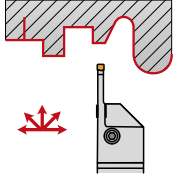
9	10	11
Blade curvature direction	Maximum diameter	Minimum diameter
<p>Additional information for axial turning.</p>		

GLSF(RL) EXT

P M K N S H

G

PRAMET



	HF	H	B	LF	CW	CDX	HBH	DWX	kg		
	[mm]	[mm]	[mm]	[mm]	[mm]	[mm]	[mm]	[mm]			
GL2-S1616KFR/L-16-45	16	16	16	125	2	16	3	45	0,23	GI334	GL12
GL2-S2020KFR/L-20-80	20	20	20	125	2	20	-	80	0,39	GI334	GL11
GL2-S2525MFR/L-20-80	25	25	25	150	2	20	-	80	0,68	GI334	GL11
GL3-S1616KFR/L-16-45	16	16	16	125	3	16	3	45	0,23	GI335	GL12
GL3-S2020KFR/L-20-80	20	20	20	125	3	20	-	80	0,39	GI335	GL11
GL3-S2525MFR/L-20-80	25	25	25	150	3	20	-	80	0,68	GI335	GL11
GL3-S2525PFR/L-32-80	25	25	25	170	3	32	5	80	0,72	GI335	GL11
GL4-S2020KFR/L-20-80	20	20	20	125	4	20	-	80	0,39	GI336	GL11
GL4-S2525MFR/L-20-80	25	25	25	150	4	20	-	80	0,68	GI336	GL11
GL4-S2525PFR/L-32-80	25	25	25	170	4	32	5	80	0,72	GI336	GL11
GL5-S2020KFR/L-20-80	20	20	20	125	5	20	-	80	0,39	GI337	GL11
GL5-S2525MFR/L-20-80	25	25	25	150	5	20	-	80	0,68	GI337	GL11
GL6-S2020KFR/L-20-80	20	20	20	125	6	20	-	80	0,39	GI338	GL11
GL6-S2525MFR/L-20-80	25	25	25	150	6	20	-	80	0,68	GI338	GL11

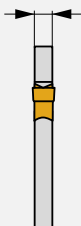
GI334	GL2..
GI335	GL3..
GI336	GL4..
GI337	GL5..
GI338	GL6..


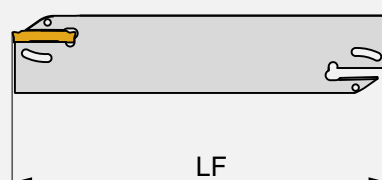
GL11	US 5018-T20P	5,0	M5	18,2	-	LK T20P	-
GL12	HS 0516	5,0	M5	-	16	-	HXX4

CODE DESIGNATION – PARTING OFF AND GROOVING BLADES (EXTERNAL TURNING)

1	2		3	4	5	6
GL	3	-	S	32	M	B



1	2	3				
Tool group	Pocket size	Shank type				
GL	1, 2, 3, 4, 5, 6 	<table border="1"> <tr> <td>A</td> <td>steel shank with internal coolant</td> </tr> <tr> <td>S</td> <td>steel shank without internal coolant</td> </tr> </table>	A	steel shank with internal coolant	S	steel shank without internal coolant
A	steel shank with internal coolant					
S	steel shank without internal coolant					

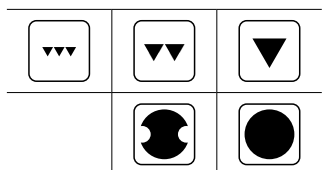
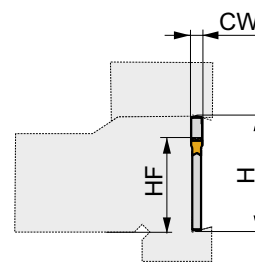
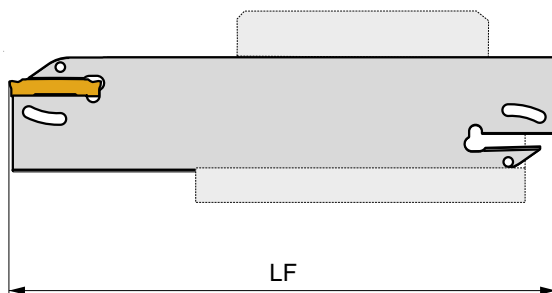
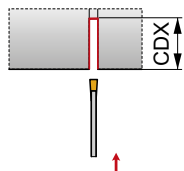
4	5	6															
Shank dimensions	Blade total length - LF	Tool style															
 <table border="1"> <thead> <tr> <th></th> <th>H [mm]</th> </tr> </thead> <tbody> <tr> <td>26</td> <td>26</td> </tr> <tr> <td>32</td> <td>32</td> </tr> </tbody> </table>		H [mm]	26	26	32	32	 <table border="1"> <thead> <tr> <th></th> <th>LF [mm]</th> <th>LF [in]</th> </tr> </thead> <tbody> <tr> <td>K</td> <td>125</td> <td>5.000</td> </tr> <tr> <td>M</td> <td>150</td> <td>6.000</td> </tr> </tbody> </table>		LF [mm]	LF [in]	K	125	5.000	M	150	6.000	B - blade
	H [mm]																
26	26																
32	32																
	LF [mm]	LF [in]															
K	125	5.000															
M	150	6.000															

GLS B

P M K N S H

X

PRAMET

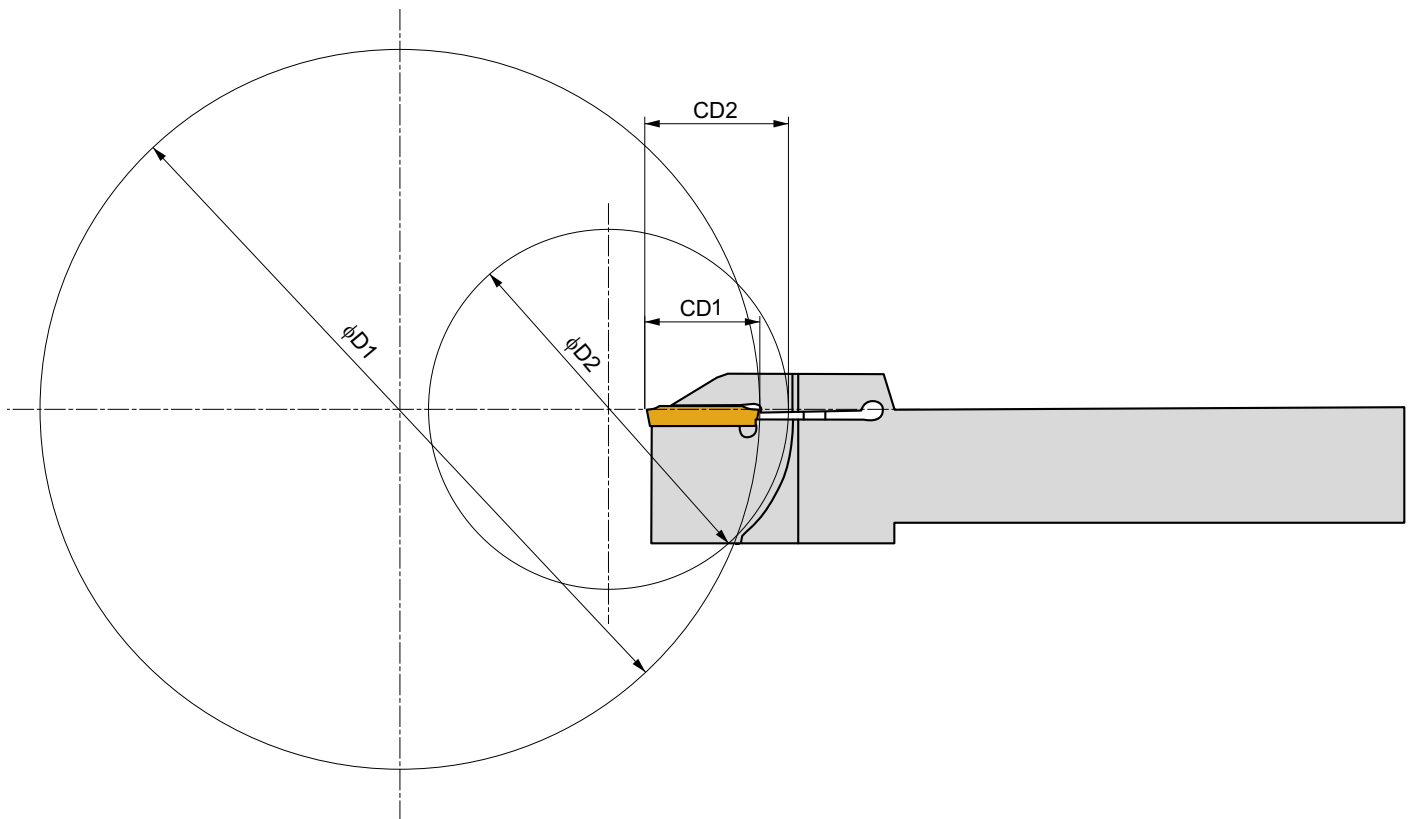
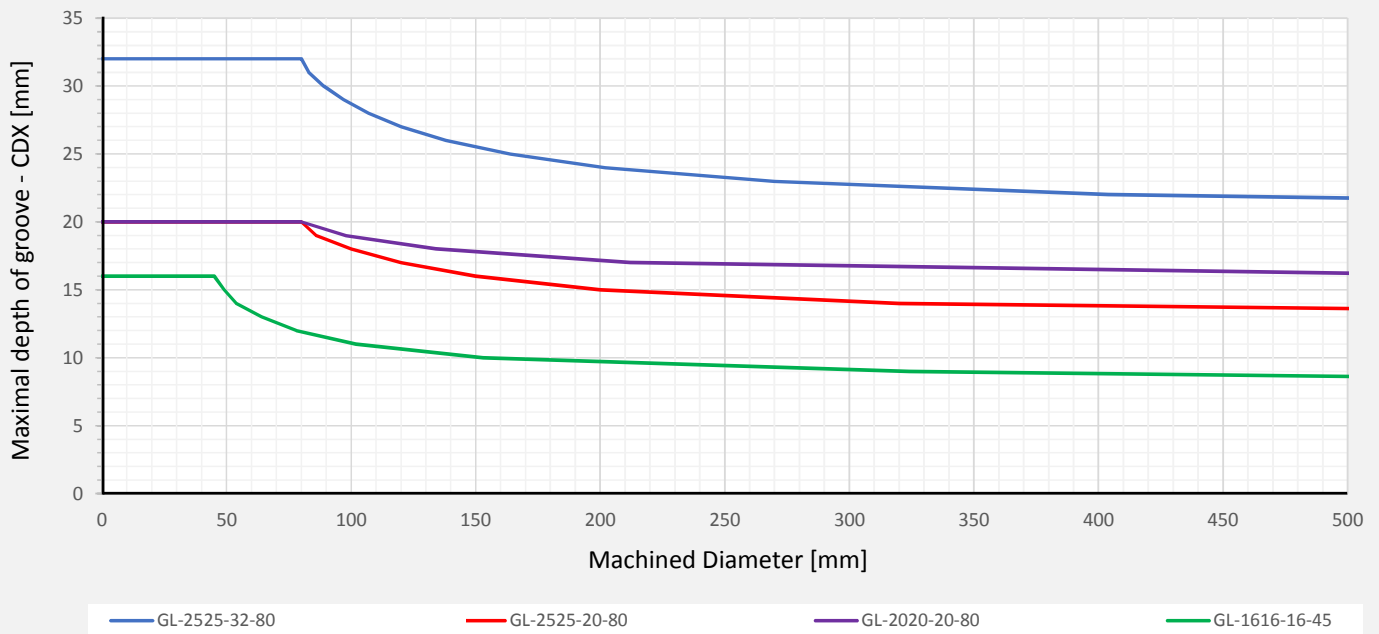


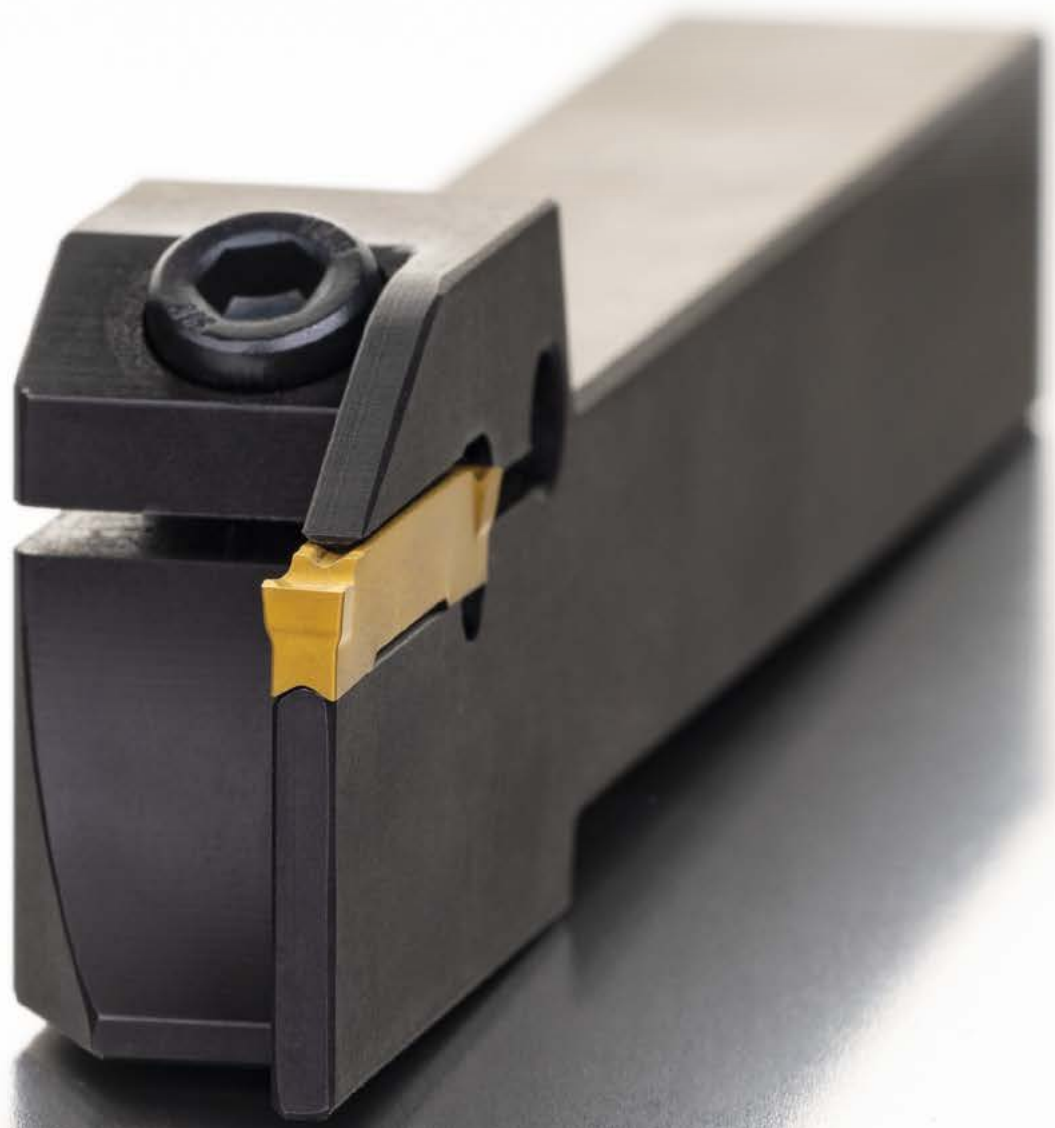
	HF	H	LF	CW	CDX	kg		
	[mm]	[mm]	[mm]	[mm]	[mm]			
GL2-S26KB	20	26	125	2	35	0,14	GI334	KV2
GL2-S32MB	25	32	150	2	50	0,16	GI334	KV2
GL3-S26KB	20	26	125	3	35	0,14	GI335	KV2
GL3-S32MB	25	32	150	3	50	0,16	GI335	KV2
GL4-S32MB	25	32	150	4	50	0,16	GI336	KV2
GL5-S32MB	25	32	150	5	60	0,16	GI337	KV2
GL6-S32MB	25	32	150	6	60	0,16	GI338	KV2

GI334	GL2..
GI335	GL3..
GI336	GL4..
GI337	GL5..
GI338	GL6..

KV2	KV 15x150

CUTTING DEPTHS DEPENDING ON MACHINED DIAMETER







EFFECTIVE PRODUCTION OF CIRCLIPS AND O-RING GROOVES

New grooving system for accurate machining of circlip and o-ring grooves. For internal and external operations, especially finishing in small internal diameters and deeper grooves.

FEATURES & BENEFITS

- Single and double-edged insert design
- Medium wide negative T-land
- Positive geometry
- Available in PVD and CVD grades
- Precision ground inserts
- P61 grooving bar offering starting diameter 12.5mm
- P61 tools from 16x16mm to 25x25mm
- **Reliable machining** – thanks to improved cutting edge strength.
- **Smooth machining performance** - positive geometry to reduce cutting forces and vibration.
- **Improved chip removal** – chip is forced to curl tightly, increasing the breakability at a wide range of cutting feeds.
- **High quality surface** – ground sharp cutting edges allow lower feed rates
- **Highly productive and versatile solution** thanks to MT-CVD and PVD grades

GRADES OFFER

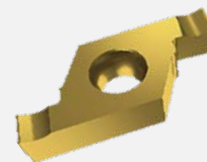


G8330

NEW

GRADE G8330

- PVD coated
- General machining grade for steels, stainless steels and cast iron



6640

GRADE 6640

- MT-CVD coated
- Highly productive solution for steels and stainless steels

MACHINING EXAMPLE

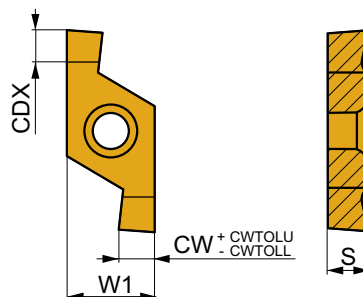
Material: 100Cr6 (183 HB)
 Material group: P
 Workpiece: Circlip
 Insert: X61 0602-215 L:G8330
 Holder: P61.SFL-2020K-06
 Coolant: Yes

Operation			Grooving
Workpiece diameter	mm		60
Cutting speed	v_c	m/min	230
Feed	f	mm/rev	0,05
Depth of cut	a_p	mm	1,5

X61



	W1	S
0602	6,350	2,33

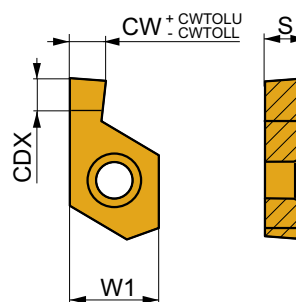


i	↖	ISO	Material	P	M	K	N	S	H	? ? ?	Water	RE	FN	FX	CDN	CDX	CW	CWTOLL	CWTOLU
		X61 0602-080 R	6640	■	■	▣				●	+++	-	0,02	0,08	-	0,8	0,85	-0,03	0,03
			G8330	■	■	▣	▣			●	+++	-	0,02	0,08	-	0,8	0,85	-0,03	0,03
		X61 0602-090 R	6640	■	■	▣				●	+++	-	0,02	0,08	-	0,8	0,95	-0,03	0,03
			G8330	■	■	▣	▣			●	+++	-	0,02	0,08	-	0,8	0,95	-0,03	0,03
		X61 0602-100 R	6640	■	■	▣				●	+++	-	0,02	0,08	-	0,8	1,05	-0,03	0,03
			G8330	■	■	▣	▣			●	+++	-	0,02	0,08	-	0,8	1,05	-0,03	0,03
		X61 0602-110 R	6640	■	■	▣				●	+++	-	0,02	0,08	-	1,2	1,15	-0,03	0,03
			G8330	■	■	▣	▣			●	+++	-	0,02	0,08	-	1,2	1,15	-0,03	0,03
		X61 0602-130 R	6640	■	■	▣				●	+++	-	0,02	0,08	-	1,4	1,35	-0,03	0,03
			G8330	■	■	▣	▣			●	+++	-	0,02	0,08	-	1,4	1,35	-0,03	0,03
		X61 0602-150 R	6640	■	■	▣				●	+++	-	0,02	0,08	-	1,6	1,55	-0,03	0,03
			G8330	■	■	▣	▣			●	+++	-	0,02	0,08	-	1,6	1,55	-0,03	0,03
		X61 0602-160 R	6640	■	■	▣				●	+++	-	0,02	0,08	-	1,7	1,65	-0,03	0,03
			G8330	■	■	▣	▣			●	+++	-	0,02	0,08	-	1,7	1,65	-0,03	0,03
		X61 0602-185 R	6640	■	■	▣				●	+++	-	0,03	0,12	-	2,0	1,90	-0,03	0,03
			G8330	■	■	▣	▣			●	+++	-	0,03	0,12	-	2,0	1,90	-0,03	0,03
		X61 0602-200 R	G8330	■	■	▣	▣			●	+++	-	0,03	0,12	-	2,2	2,05	-0,03	0,03
		X61 0602-215 R	6640	■	■	▣				●	+++	-	0,03	0,12	-	2,4	2,20	-0,03	0,03
			G8330	■	■	▣	▣			●	+++	-	0,03	0,12	-	2,4	2,20	-0,03	0,03
		X61 0602-250 R	G8330	■	■	▣	▣			●	+++	-	0,03	0,12	-	2,6	2,55	-0,03	0,03
		X61 0602-265 R	6640	■	■	▣				●	+++	-	0,04	0,16	-	2,7	2,70	-0,03	0,03
			G8330	■	■	▣	▣			●	+++	-	0,04	0,16	-	2,7	2,70	-0,03	0,03
		X61 0602-300 R	6640	■	■	▣				●	+++	-	0,04	0,16	-	3,0	3,05	-0,03	0,03
			G8330	■	■	▣	▣			●	+++	-	0,04	0,16	-	3,0	3,05	-0,03	0,03
		X61 0602-315 R	6640	■	■	▣				●	+++	-	0,04	0,16	-	3,0	3,20	-0,03	0,03
			G8330	■	■	▣	▣			●	+++	-	0,04	0,16	-	3,0	3,20	-0,03	0,03
		X61 0602-080 L	6640	■	■	▣				●	+++	-	0,02	0,08	-	0,8	0,85	-0,03	0,03
			G8330	■	■	▣	▣			●	+++	-	0,02	0,08	-	0,8	0,85	-0,03	0,03
		X61 0602-090 L	6640	■	■	▣				●	+++	-	0,02	0,08	-	0,8	0,95	-0,03	0,03
			G8330	■	■	▣	▣			●	+++	-	0,02	0,08	-	0,8	0,95	-0,03	0,03
		X61 0602-100 L	6640	■	■	▣				●	+++	-	0,02	0,08	-	0,8	1,05	-0,03	0,03
			G8330	■	■	▣	▣			●	+++	-	0,02	0,08	-	0,8	1,05	-0,03	0,03
		X61 0602-110 L	6640	■	■	▣				●	+++	-	0,02	0,08	-	1,2	1,15	-0,03	0,03
			G8330	■	■	▣	▣			●	+++	-	0,02	0,08	-	1,2	1,15	-0,03	0,03
		X61 0602-130 L	6640	■	■	▣				●	+++	-	0,02	0,08	-	1,4	1,35	-0,03	0,03
			G8330	■	■	▣	▣			●	+++	-	0,02	0,08	-	1,4	1,35	-0,03	0,03
		X61 0602-150 L	6640	■	■	▣				●	+++	-	0,02	0,08	-	1,6	1,55	-0,03	0,03
			G8330	■	■	▣	▣			●	+++	-	0,02	0,08	-	1,6	1,55	-0,03	0,03
		X61 0602-160 L	6640	■	■	▣				●	+++	-	0,02	0,08	-	1,7	1,65	-0,03	0,03
			G8330	■	■	▣	▣			●	+++	-	0,02	0,08	-	1,7	1,65	-0,03	0,03
		X61 0602-185 L	6640	■	■	▣				●	+++	-	0,03	0,12	-	2,0	1,90	-0,03	0,03
			G8330	■	■	▣	▣			●	+++	-	0,03	0,12	-	2,0	1,90	-0,03	0,03
		X61 0602-200 L	G8330	■	■	▣	▣			●	+++	-	0,03	0,12	-	2,2	2,05	-0,03	0,03
		X61 0602-215 L	6640	■	■	▣				●	+++	-	0,03	0,12	-	2,4	2,20	-0,03	0,03
			G8330	■	■	▣	▣			●	+++	-	0,03	0,12	-	2,4	2,20	-0,03	0,03
		X61 0602-250 L	G8330	■	■	▣	▣			●	+++	-	0,03	0,12	-	2,6	2,55	-0,03	0,03
		X61 0602-265 L	6640	■	■	▣				●	+++	-	0,04	0,16	-	2,7	2,70	-0,03	0,03
			G8330	■	■	▣	▣			●	+++	-	0,04	0,16	-	2,7	2,70	-0,03	0,03

i	ISO	Material	P	M	K	N	S	H	?	RE	FN	FX	CDN	CDX	CW	CWTOLL	CWTOLU		
 	X61 0602-300 L	6640	■	■	▣				●	+++	-	0,04	0,16	-	3,0	3,05	-0,03	0,03	
		G8330	■	■	▣	▣				●	+++	-	0,04	0,16	-	3,0	3,05	-0,03	0,03
	X61 0602-315 L	6640	■	■	▣					●	+++	-	0,04	0,16	-	3,0	3,20	-0,03	0,03
		G8330	■	■	▣	▣				●	+++	-	0,04	0,16	-	3,0	3,20	-0,03	0,03

X61-1		
0602	W1	S
0602	6,350	2,33

PRAMET

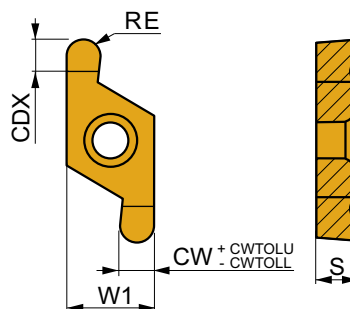


i	ISO	Material	P	M	K	N	S	H	?	RE	FN	FX	CDN	CDX	CW	CWTOLL	CWTOLU		
 	X61 0602-080 R1	6640	■	■	▣				●	+++	-	0,02	0,08	-	0,8	0,85	-0,03	0,03	
		X61 0602-090 R1	6640	■	■	▣				●	+++	-	0,02	0,08	-	0,8	0,95	-0,03	0,03
	X61 0602-110 R1	6640	■	■	▣					●	+++	-	0,02	0,08	-	1,2	1,15	-0,03	0,03
		X61 0602-130 R1	6640	■	■	▣				●	+++	-	0,02	0,08	-	1,4	1,35	-0,03	0,03
	X61 0602-160 R1	6640	■	■	▣					●	+++	-	0,02	0,08	-	1,7	1,65	-0,03	0,03
		X61 0602-185 R1	6640	■	■	▣				●	+++	-	0,03	0,12	-	2,0	1,90	-0,03	0,03
	X61 0602-215 R1	6640	■	■	▣					●	+++	-	0,03	0,12	-	2,2	2,20	-0,03	0,03
		X61 0602-080 L1	6640	■	■	▣				●	+++	-	0,02	0,08	-	0,8	0,85	-0,03	0,03
	X61 0602-090 L1	6640	■	■	▣					●	+++	-	0,02	0,08	-	0,8	0,95	-0,03	0,03
		X61 0602-110 L1	6640	■	■	▣				●	+++	-	0,02	0,08	-	1,2	1,15	-0,03	0,03
X61 0602-130 L1	6640	■	■	▣					●	+++	-	0,02	0,08	-	1,4	1,35	-0,03	0,03	
	X61 0602-160 L1	6640	■	■	▣				●	+++	-	0,02	0,08	-	1,7	1,65	-0,03	0,03	
X61 0602-185 L1	6640	■	■	▣					●	+++	-	0,03	0,12	-	2,0	1,90	-0,03	0,03	
	X61 0602-215 L1	6640	■	■	▣				●	+++	-	0,03	0,12	-	2,2	2,20	-0,03	0,03	

X61 R



	W1	S
0602	6,350	2,33

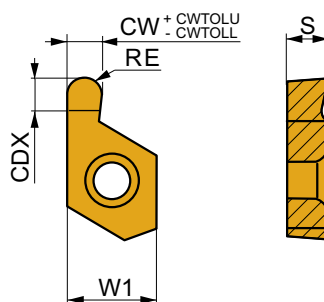


i	ISO	Material	P	M	K	N	S	H	C	D	RE	FN	FX	CDN	CDX	CW	CWTOLL	CWTOLU
U	X61 0602-R100 R	6640	■	■	▣				●	+++	1,0	0,03	0,08	-	3,0	2,09	-0,03	0,03
		G8330	■	■	▣	▣			●	+++	1,0	0,03	0,08	-	3,0	2,09	-0,03	0,03
E	X61 0602-R150 R	6640	■	■	▣				●	+++	1,5	0,03	0,08	-	3,0	3,09	-0,03	0,03
		G8330	■	■	▣	▣			●	+++	1,5	0,03	0,08	-	3,0	3,09	-0,03	0,03
U	X61 0602-R100 L	6640	■	■	▣				●	+++	1,0	0,03	0,08	-	3,0	2,09	-0,03	0,03
		G8330	■	■	▣	▣			●	+++	1,0	0,03	0,08	-	3,0	2,09	-0,03	0,03
E	X61 0602-R150 L	6640	■	■	▣				●	+++	1,5	0,03	0,08	-	3,0	3,09	-0,03	0,03
		G8330	■	■	▣	▣			●	+++	1,5	0,03	0,08	-	3,0	3,09	-0,03	0,03

X61 R-1



	W1	S
0602	6,350	2,33



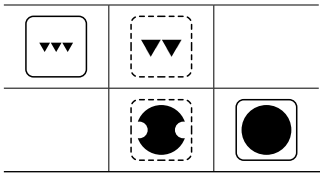
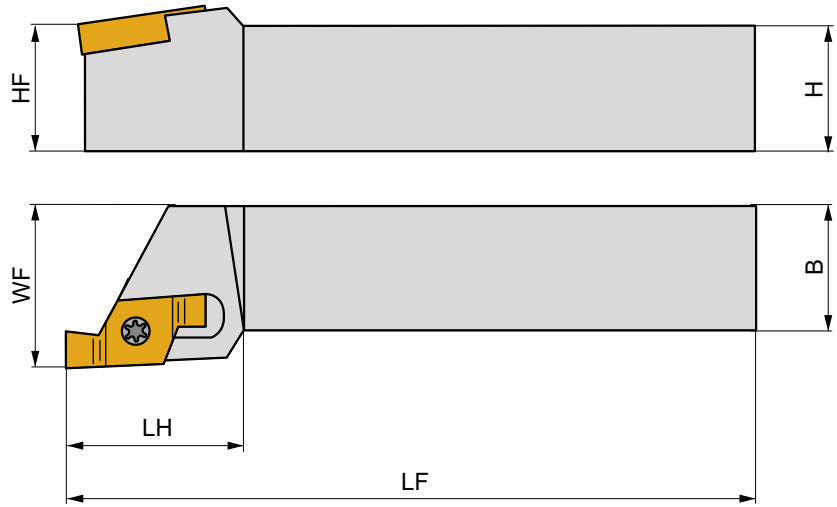
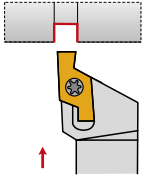
i	ISO	Material	P	M	K	N	S	H	C	D	RE	FN	FX	CDN	CDX	CW	CWTOLL	CWTOLU
U	X61 0602-R050 R1	6640	■	■	▣				●	+++	0,5	0,03	0,08	-	1,3	1,09	-0,03	0,03
		X61 0602-R100 R1	6640	■	■	▣			●	+++	1,0	0,03	0,08	-	2,8	2,09	-0,03	0,03
U	X61 0602-R050 L1	6640	■	■	▣				●	+++	0,5	0,03	0,08	-	1,3	1,09	-0,03	0,03
		X61 0602-R100 L1	6640	■	■	▣			●	+++	1,0	0,03	0,08	-	2,8	2,09	-0,03	0,03

P61(RL) EXT

P **M** **K** **N** **S**

S

PRAMET



	HF	H	B	WF	LF	LH	KAPR	kg		
	[mm]	[mm]	[mm]	[mm]	[mm]	[mm]	[°]			
P61.SFR/L-1616H-06	16	16	16	20	100	21	0	0,21	GI332	SV11
P61.SFR/L-2020K-06	20	20	20	25	125	25	0	0,40	GI332	SV11
P61.SFR/L-2525M-06	25	25	25	32	150	32	0	0,73	GI332	SV11

GI332	X61 0602..

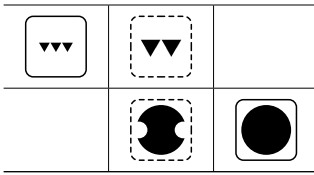
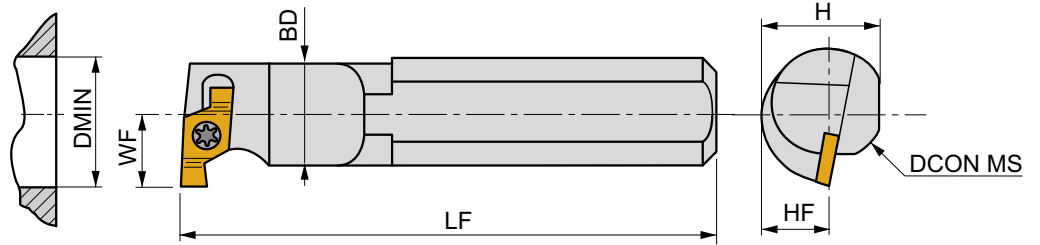
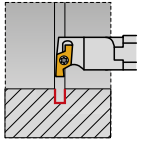
SV11	US 2003-T07P	0,8	M2,5	6,5	FLAG T07P

P61(RL) INT

P M K N S

S

PRAMET



	DCON MS	DMIN	BD	WF	H	LF	KAPR				
	[mm]	[mm]	[mm]	[mm]	[mm]	[mm]	[°]		kg		
P61.SGR/L-0012M-06	12	16	11,5	9	11	150	0	-	0,14	GI332	SV11
P61.SGR/L-A-0016M-06	16	20	15	11	15	150	0	✓	0,21	GI332	SV11
P61.SGR/L-A-0020P-06	20	25	19	13	18	170	0	✓	0,38	GI332	SV11
P61.SGR/L-A-0025R-06	25	32	24	17	23	200	0	✓	0,70	GI332	SV11
P61.SGR/L-A-0032T-06	32	40	31	22	30	300	0	✓	1,72	GI332	SV11



GI332



X61 0602..



SV11



US 2003-T07P



0,8



M2,5



6,5



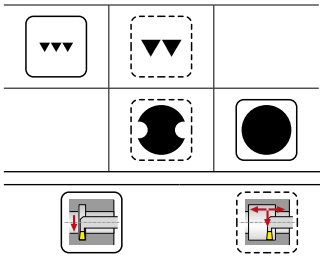
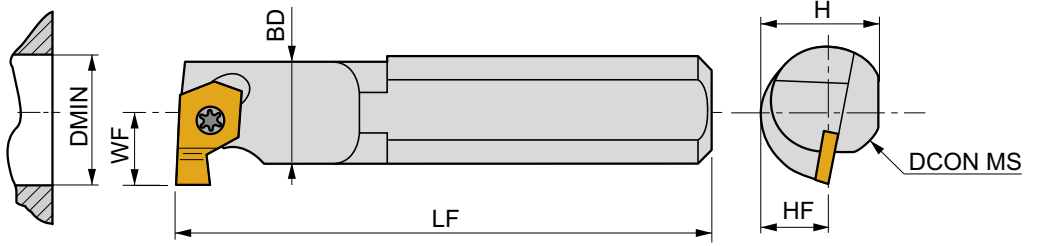
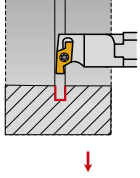
FLAG T07P

P61S(RL)-1 INT

P M K N S

S

PRAMET



	DCON MS	DMIN	BD	WF	H	LF	KAPR	kg		
	[mm]	[mm]	[mm]	[mm]	[mm]	[mm]	[°]			
P61.SGR/L-0010M-06/1	10	12,5	10	7,5	9	150	0	0,14	G1333	SV11
P61.SGR/L-0012M-06/1	12	12,5	10	7,5	11	150	0	0,21	G1333	SV11

G1333	X61 0602.-1

SV11	US 2003-T07P	0,8	M2,5	6,5	FLAG T07P



QUICK CHANGE TURNING TOOLS WITH HIGH CONNECTION ACCURACY

The polygon shank coupling spindle interface is a tooling system providing high precision. It is widespread in multi-task machines such as turn-mill centers. The polygonal cone shank and flange surface achieves a fixed accurate positioning and high degree of rigidity.

FEATURES & BENEFITS

- Direct interface tools with high precision
- Highest accuracy and rigidity
- Exact positioning in the circumferential direction
- Internal cooling channels, external tools with adjustable nozzle
- Interface with a unique tapered polygon and flange location face
- Suitable for multi-task machines with ISO 26623-1 receivers
- **Faster and more precise machining** due to the highly stable interface, which results in higher productivity
- **Cost savings** - reduced set-up time and automatic tool change
- **Repeatability** - accuracy of the connection in X, Y, Z direction is $\pm 2 \mu\text{m}$
- **Surface quality** - less vibration due to reduced overhang length

OUR OFFER

- 19 tool styles for external tooling
- 7 tool styles for internal tooling
- 5 shank sizes

Standard shank tools



PSC Quick Change Tools



General breakdown of machining time:

12 %	Servicing / maintenance	13 %
15 %	Batch setup gauging	13 %
20 %	Insert indexing and tool changing	10 %
18 %	Workpiece fixing	19 %
35 %	Machining	45 %

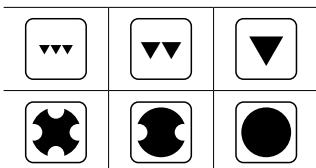
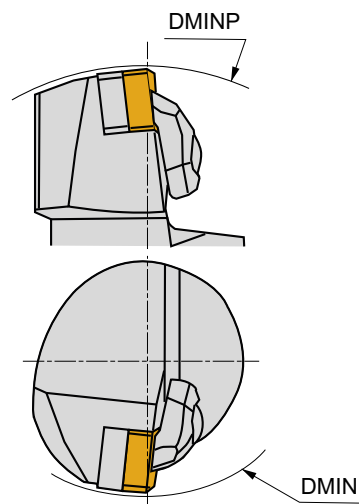
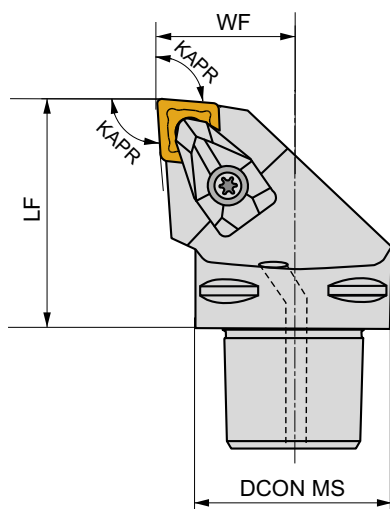
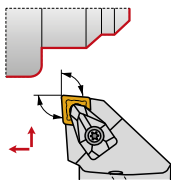
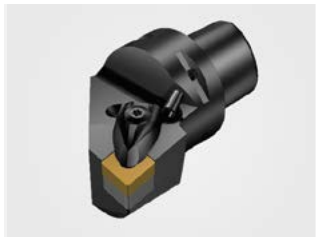
29 % more time in cut

C-DCLN(RL) EXT

P M K N S H

D

PRAMET



	DCON MS	DMIN	DMINP	WF	LF	KAPR	LAMS	GAMO					
	[mm]	[mm]	[mm]	[mm]	[mm]	[°]	[°]	[°]					
C3-DCLNR-22045-12	32	60	121	22	45	95	-6	-6	✓	0,26	GI043	C-DC12	AT001
C4-DCLNR/L-27050-12	40	110	140	27	50	95	-6	-6	✓	0,44	GI043	C-DC12	AT001
C4-DCLNR/L-27055-16	40	125	145	27	55	95	-6	-6	✓	0,48	GI050	C-DC16	AT005
C5-DCLNR/L-35060-12	50	110	165	35	60	95	-6	-6	✓	0,79	GI043	C-DC12	AT001
C5-DCLNR/L-35060-16	50	125	165	35	60	95	-6	-6	✓	0,79	GI050	C-DC16	AT005
C6-DCLNR/L-45065-12	63	110	190	45	65	95	-6	-6	✓	1,32	GI043	C-DC12	AT001
C6-DCLNR/L-45065-16	63	125	190	45	65	95	-6	-6	✓	1,34	GI050	C-DC16	AT005
C6-DCLNR/L-45065-19	63	81	190	45	65	95	-6	-6	✓	1,34	GI042	C-DC19	-
C8-DCLNL-55080-16	80	125	250	55	80	95	-6	-6	✓	2,59	GI050	C-DC16	AT005
C8-DCLNR/L-55080-19	80	100	250	55	80	95	-6	-6	✓	2,61	GI042	C-DC19	-

GI043	CN.. 1204..
GI050	CN.. 1606..
GI042	CN.. 1906..

DC12	DCS 12	3,9	DCS 236-03	US 2002-T15P	FLAG T15P/3,5	-	-
C-DC12	DCS 12	3,9	DCS 234-01	US 2002-T15P	FLAG T15P/3,5	-	CN 045-01
C-DC16	DCS 16	6,4	DCS 234-03	US 2007-T20P	-	LKT20P	CN 045-01
C-DC19	DCS 19	6,4	DCS 236-01	US 2007-T20P	-	LKT20P	CN 045-01

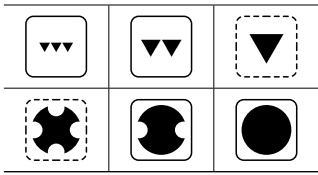
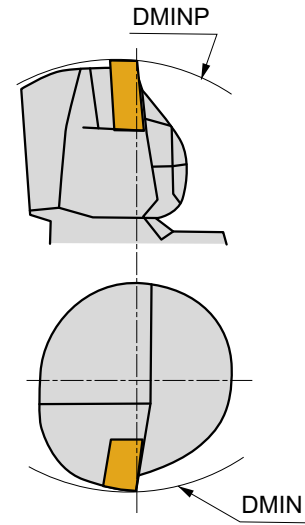
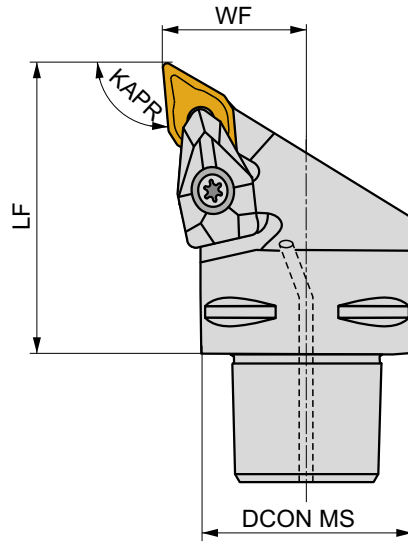
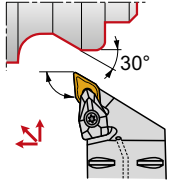
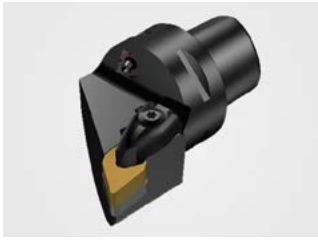
AT001	CN.. 1207..	-	DCS 234-02
AT005	CN.. 1607..	-	DCS 234-04
AT001	CER CN.N 1204..	DCS 12C4	-
AT001	CER CN.A 1204..	DCS 12C2	-
AT005	CER CN.N 1606..	DCS 16C4	-
AT005	CER CN.A 1606..	DCS 16C2	-

C-DDJN(RL) EXT

P M K N S H

D

PRAMET



	DCON MS	DMIN	DMINP	WF	LF	KAPR	LAMS	GAMO					
	[mm]	[mm]	[mm]	[mm]	[mm]	[°]	[°]	[°]					
C4-DDJNR/L-27050-11	40	60	140	27	50	93	-7	-6	✓	0,39	GI046	C-DD11	-
C4-DDJNR/L-27055-15	40	110	145	27	55	93	-7	-6	✓	0,46	GI044	C-DD154-1	AT002
C5-DDJNR/L-35060-15	50	110	165	35	60	93	-7	-6	✓	0,72	GI044	C-DD154-2	AT002
C6-DDJNR/L-45065-15	63	110	190	45	65	93	-7	-6	✓	1,18	GI044	C-DD154-3	AT002

GI046		DN.. 1104..
GI044		DN.. 1506..

C-DD11	DCS 09	1,7	DDS 267-01	US 2004-T09P	FLAG T09P	CN 034-01
C-DD154-1	DCS 12	3,9	DDS 266-02	US 2002-T15P	FLAG T15P/3,5	CN 034-01
C-DD154-2	DCS 12	3,9	DDS 266-02	US 2002-T15P	FLAG T15P/3,5	CN 045-01
C-DD154-3	DCS 12	3,9	DDS 266-02	US 2002-T15P	FLAG T15P/3,5	CN 034-02

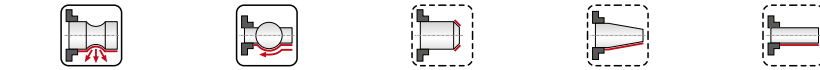
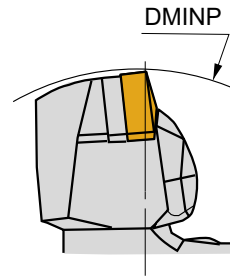
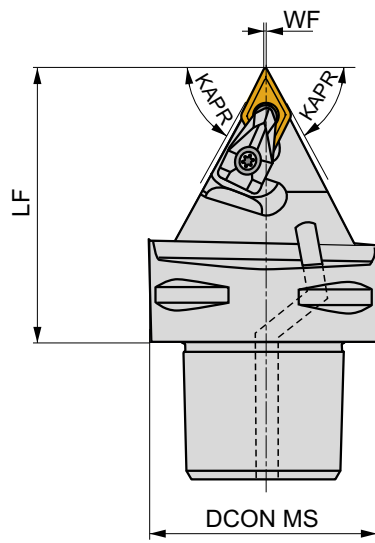
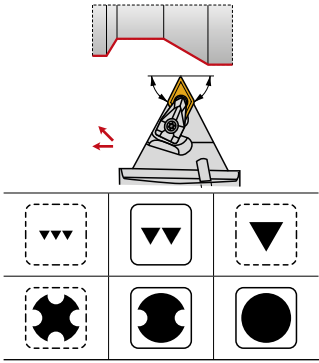
AT002	DN.. 1504..	-	DDS 266-01
AT002	CER DN.N 1506..	DCS 12C4	-
AT002	CER DN.A 1506..	DCS 12C2	-
AT002	CER DN.N 1504..	DCS 12C4	DDS 266-01
AT002	CER DN.A 1504..	DCS 12C2	DDS 266-01

C.-DDNNN EXT

P M K N S H

D

PRAMET



	DCON MS	DMINP	WF	LF	KAPR	LAMS	GAMO					
	[mm]	[mm]	[mm]	[mm]	[°]	[°]	[°]		kg			
C5-DDNNN-00060-15	50	165	0,5	60	62,5	-9	-5	✓	0,62	GI044	C-DD154-2	AT002
C6-DDNNN-00065-15	63	190	0,5	65	62,5	-9	-5	✓	1,06	GI044	C-DD154-2	AT002

GI044					DN.. 1506..							

C-DD154-2	DCS 12	3,9	DDS 266-02	US 2002-T15P	FLAGT15P/3,5			CN 045-01

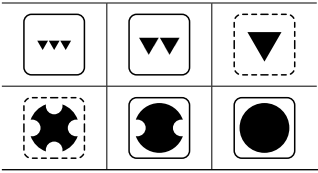
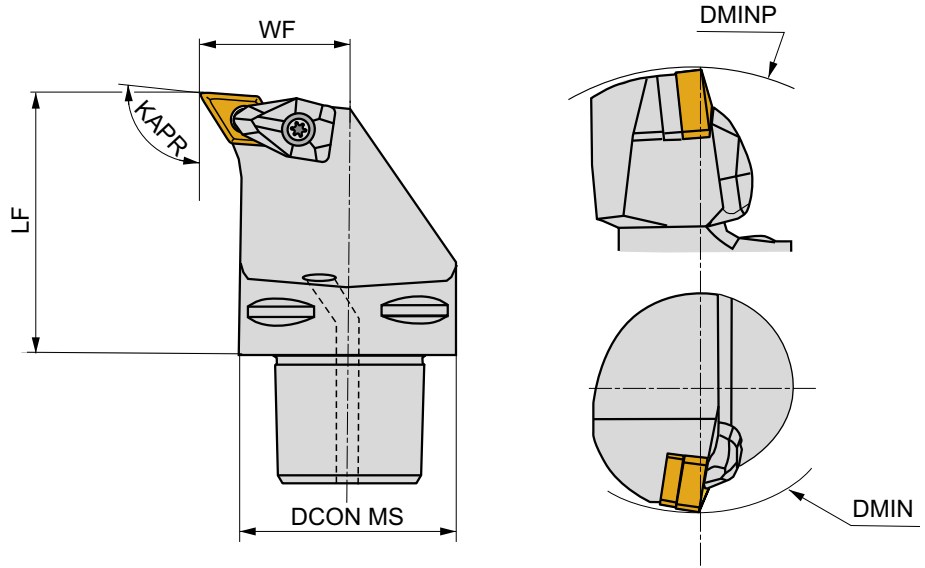
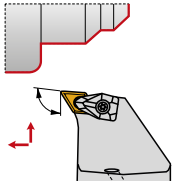
AT002	DN.. 1504..	-	DDS 266-01		
AT002	CER DN.N 1506..	DCS 12C4	-		
AT002	CER DN.A 1506..	DCS 12C2	-		
AT002	CER DN.N 1504..	DCS 12C4	DDS 266-01		
AT002	CER DN.A 1504..	DCS 12C2	DDS 266-01		

C.-DDUN(RL) EXT

P M K N S H

D

PRAMET



	DCON MS	DMIN	DMINP	WF	LF	KAPR	LAMS	GAMO					
	[mm]	[mm]	[mm]	[mm]	[mm]	[°]	[°]	[°]					
C5-DDUNR/L-35060-15	50	110	165	35	60	93	-7	-6	✓	0,80	GI044	C-DD154-3	AT002
C6-DDUNR-45065-15	63	110	190	45	65	93	-7	-6	✓	1,35	GI044	C-DD154-3	AT002

GI044						DN.. 1506..							

C-DD154-3	DCS 12	3,9	DDS 266-02	US 2002-T15P	FLAG T15P/3,5	CN 034-02	

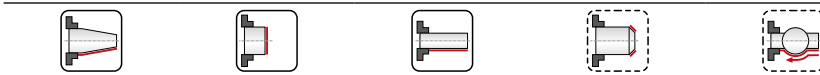
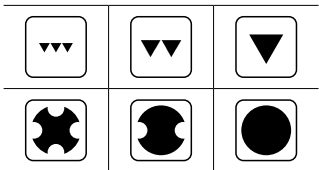
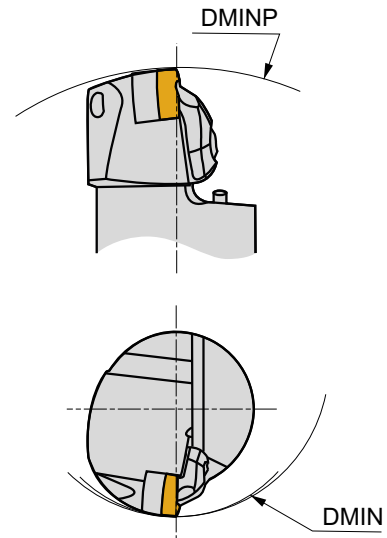
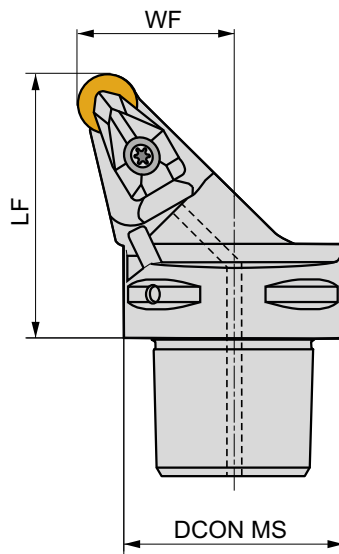
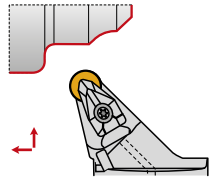
AT002	DN.. 1504..	-	DDS 266-01
AT002	CER DN.N 1506..	DCS 12C4	-
AT002	CER DN.A 1506..	DCS 12C2	-
AT002	CER DN.N 1504..	DCS 12C4	DDS 266-01
AT002	CER DN.A 1504..	DCS 12C2	DDS 266-01

C-DRSN(RL) EXT

P M K

PRAMET

D



	DCON MS	DMIN	DMINP	WF	LF	LAMS	GAMO				
	[mm]	[mm]	[mm]	[mm]	[mm]	[°]	[°]				
C6-DRSNR/L-45065-12	63	110	190	45	65	-6	-6	✓	1,11	G1083	C-DR12

G1083	RN.. 120400

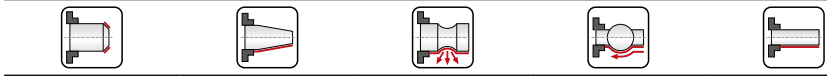
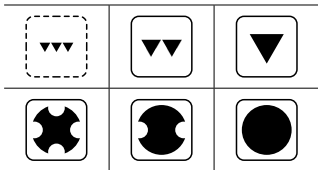
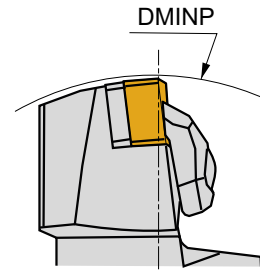
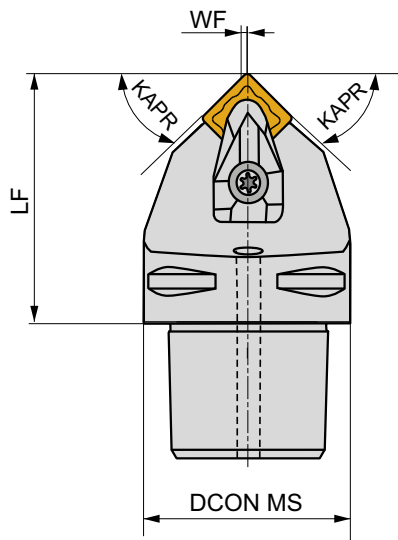
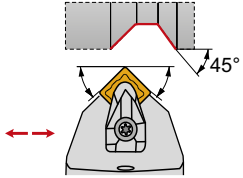
C-DR12	DCS 12	3,9	DRS 155-02	US 2002-T15P	FLAGT15P/3,5	CN 045-01

C.-DSDNN EXT

P M K N S H

D

PRAMET



	DCON MS	DMINP	WF	LF	KAPR	LAMS	GAMO		kg			
	[mm]	[mm]	[mm]	[mm]	[°]	[°]	[°]					
C4-DSDNN-00050-12	40	140	0,3	50	45	-6	-6	✓	0,40	GI029	C-DS12-2	AT003
C5-DSDNN-00060-12	50	165	0,3	60	45	-6	-6	✓	0,78	GI029	C-DS12-2	AT003
C6-DSDNN-00070-19	63	195	0,5	70	45	-6	-6	✓	1,24	GI026	C-DS19	-

GI029		SN.. 1204..
GI026		SN.. 1906..

C-DS12-2	DCS 12	3,9	DSS 425-01	US 2002-T15P	FLAG T15P/3,5	-	CN 045-01
C-DS19	DCS 19	6,4	DSS 425-04	US 2007-T20P	-	LKT20P	CN 045-01

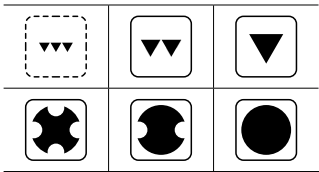
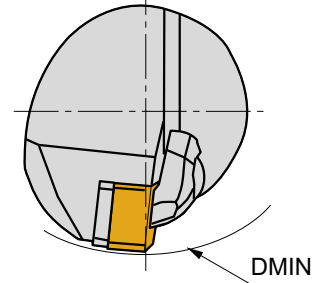
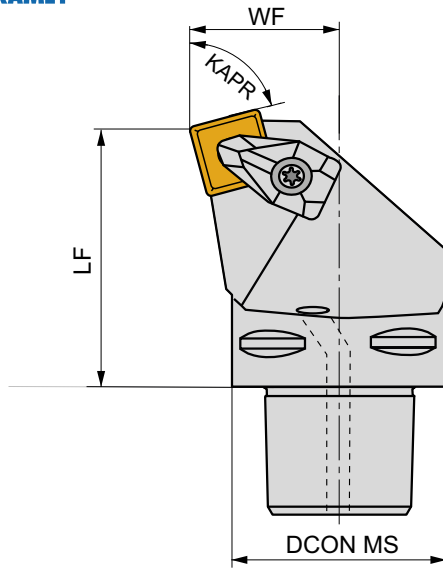
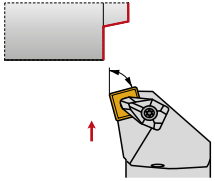
AT003	SN.. 1207..	-	DDS 425-02
AT003	CER SN.N 1204..	DCS 12C4	-
AT003	CER SN.A 1204..	DCS 12C2	-

C.-DSKN(RL) EXT

P M K N S H

D

PRAMET



	DCON MS	DMIN	WF	LF	KAPR	LAMS	GAMO					
	[mm]	[mm]	[mm]	[mm]	[°]	[°]	[°]					
C4-DSKNR/L-27050-12	40	110	27	50	75	-6	-6	✓	0,47	GI029	C-DS12-1	AT003

GI029	SN.. 1204..

C-DS12-1	DCS 12	3,9	DSS 425-01	US 2002-T15P	FLAGT15P/3,5	CN 034-01

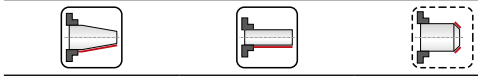
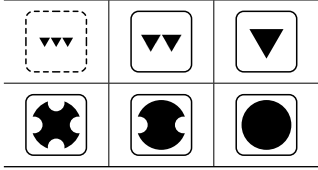
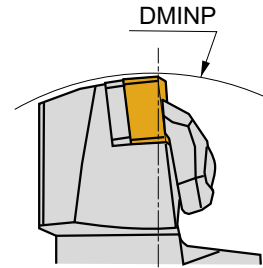
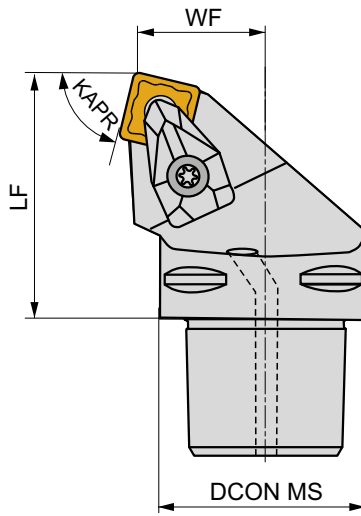
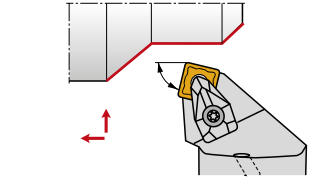
AT003	SN.. 1207..	-	DDS 425-02
AT003	CER SN.N 1204..	DCS 12C4	-
AT003	CER SN.A 1204..	DCS 12C2	-

C.-DSRN(RL) EXT

P M K N S H

D

PRAMET



	DCON MS	DMINP	WF	LF	KAPR	LAMS	GAMO		kg			
	[mm]	[mm]	[mm]	[mm]	[°]	[°]	[°]					
C4-DSRNR/L-22050-12	40	140	22	50	75	-6	-6	✓	0,40	GI029	C-DS12-1	AT003
C6-DSRNR/L-35065-19	63	190	35	65	75	-6	-6	✓	1,30	GI026	C-DS19	-

GI029							SN.. 1204..					
GI026							SN.. 1906..					

C-DS12-1	DCS 12	3,9	DSS 425-01	US 2002-T15P	FLAGT15P/3,5	-	-					CN 034-01
C-DS19	DCS 19	6,4	DSS 425-04	US 2007-T20P	-	LKT20P	-					CN 045-01

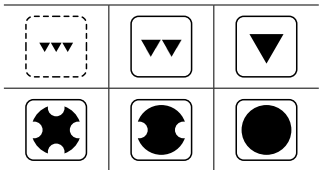
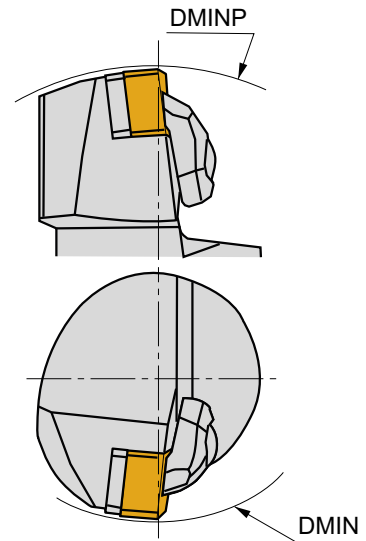
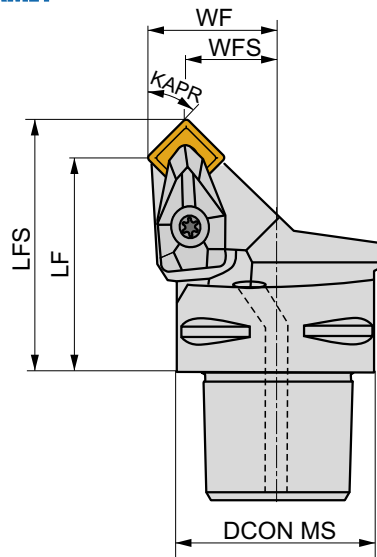
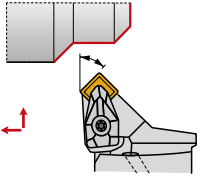
AT003	SN.. 1207..											DDS 425-02
AT003	CER SN.N 1204..						DCS 12C4					-
AT003	CER SN.A 1204..						DCS 12C2					-

C.-DSSN(RL) EXT

P M K N S H

D

PRAMET



	DCON MS	DMIN	DMINP	WF	WFS	LF	LFS	KAPR	LAMS	GAMO					
	[mm]	[mm]	[mm]	[mm]	[mm]	[mm]	[mm]	[°]	[°]	[°]					
C4-DSSNR/L-27042-12	40	110	140	27	18,7	42	50,3	45	0	-8	✓	0,36	GI029	C-DS12-1	AT003
C5-DSSNR/L-35052-12	50	110	165	35	26,7	52	60,3	45	0	-8	✓	0,69	GI029	C-DS12-3	AT003

GI029	SN.. 1204..

C-DS12-1	DCS 12	3,9	DSS 425-01	US 2002-T15P	FLAGT15P/3,5	CN 034-01
C-DS12-3	DCS 12	3,9	DSS 425-01	US 2002-T15P	FLAGT15P/3,5	CN 034-01

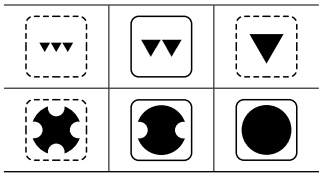
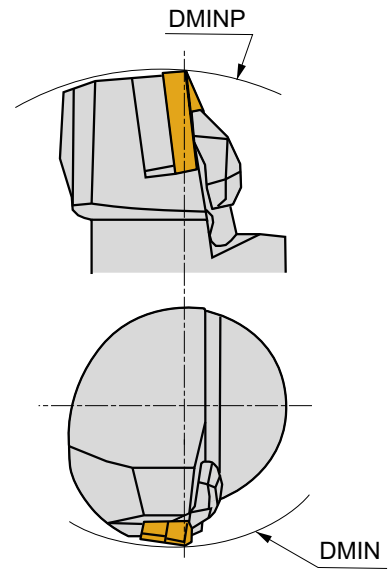
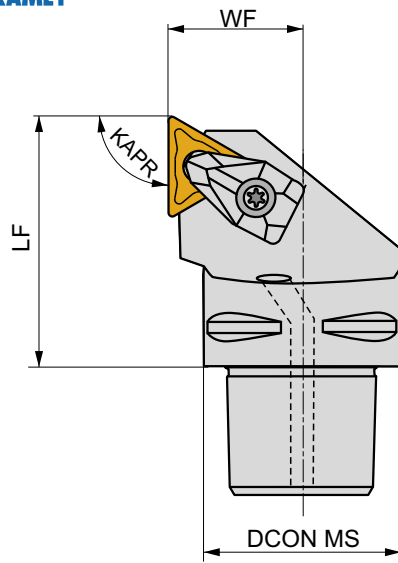
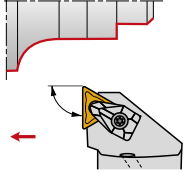
AT003	SN.. 1207..	-	DDS 425-02
AT003	CER SN.N 1204..	DCS 12C4	-
AT003	CER SN.A 1204..	DCS 12C2	-

C.-DTJN(RL) EXT

P M K N S H

D

PRAMET



	DCON MS	DMIN	DMINP	WF	LF	KAPR	LAMS	GAMO				
	[mm]	[mm]	[mm]	[mm]	[mm]	[°]	[°]	[°]				
C4-DTJNR/L-27050-16	40	110	140	27	50	93	-6	-6	✓	0,43	GI024	C-DT16
C5-DTJNR/L-35060-16	50	110	165	35	60	93	-6	-6	✓	0,78	GI024	C-DT16

GI024	TN.. 1604..

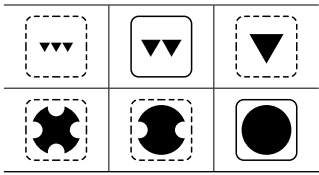
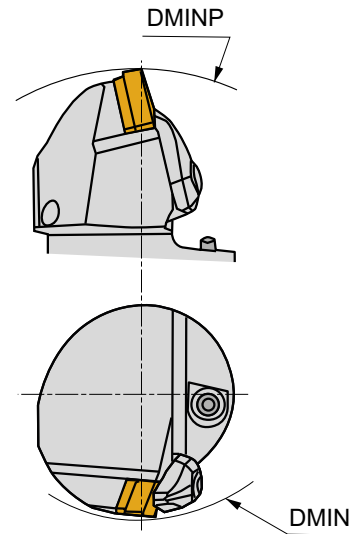
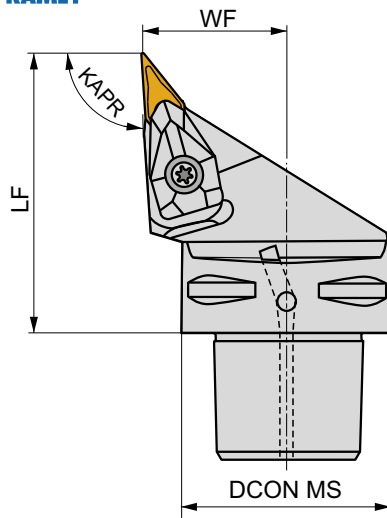
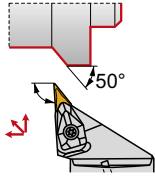
C-DT16	DCS 09	1,7	US 2004-T09P	US 2004-T09P	CN 045-01

C.-DVJN(RL) EXT

P M K N S H

D

PRAMET



	DCON MS	DMIN	DMINP	WF	LF	KAPR	LAMS	GAMO				
	[mm]	[mm]	[mm]	[mm]	[mm]	[°]	[°]	[°]		kg		
C4-DVJNR/L-27062-16	40	60	152	27	62	93	-13	-4	✓	0,45	GI048	C-DV16-1
C5-DVJNR/L-35065-16	50	65	170	35	65	93	-13	-4	✓	0,72	GI048	C-DV16-2
C6-DVJNR/L-45065-16	63	81	190	45	65	93	-13	-4	✓	1,13	GI048	C-DV16-2

GI048		VN.. 1604..

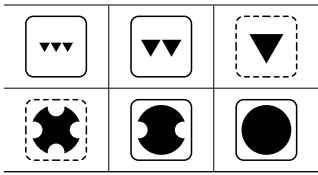
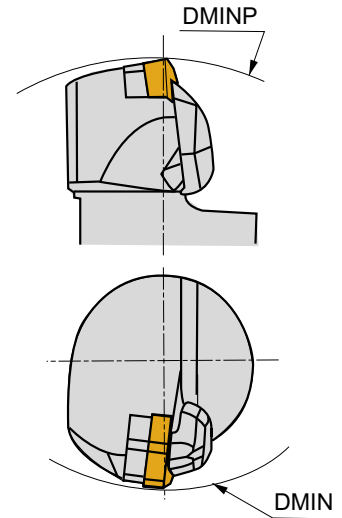
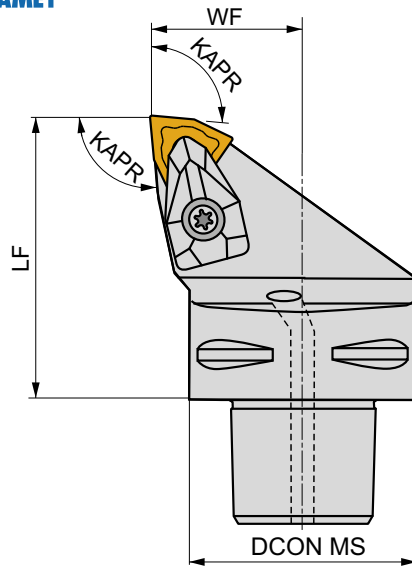
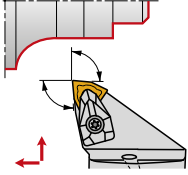
C-DV16-1	DCS 16V	3 Nm	DVS 269-01	US 2009-T15P	FLAGT15P/3,5	CN 034-01
C-DV16-2	DCS 16V	3	DVS 269-01	US 2009-T15P	FLAGT15P/3,5	CN 034-02

C.-DWLN(RL) EXT

P M K N S H

D

PRAMET



	DCON MS	DMIN	DMINP	WF	LF	KAPR	LAMS	GAMO					
	[mm]	[mm]	[mm]	[mm]	[mm]	[°]	[°]	[°]					
C4-DWLN(RL)-27050-06	40	60	140	27	50	95	-6	-6	✓	0,43	GI028	C-DW06	-
C4-DWLN(RL)-27050-08	40	110	140	27	50	95	-6	-6	✓	0,43	GI072	C-DW08-1	AT004
C5-DWLN(RL)-35060-08	50	110	165	35	60	95	-6	-6	✓	0,74	GI072	C-DW08-2	AT004
C6-DWLN(RL)-45065-08	63	110	190	45	65	95	-6	-6	✓	1,34	GI072	C-DW08-2	AT004

GI028	WN.. 0604..
GI072	WN.. 0804..

C-DW06	DCS 09	1,7	DWS 328-01	US 2004-T09P	FLAG T09P	CN 034-01
C-DW08-1	DCS 12	3,9	DWS 331-12	US 2002-T15P	FLAG T15P/3,5	CN 034-01
C-DW08-2	DCS 12	3,9	DWS 331-12	US 2002-T15P	FLAG T15P/3,5	CN 045-01

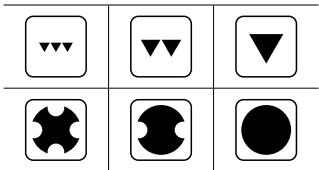
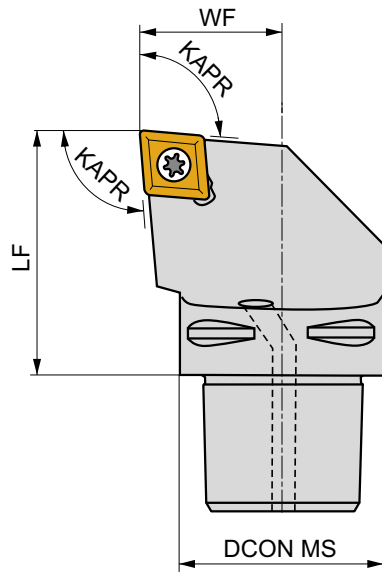
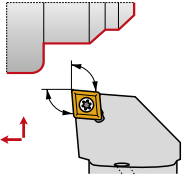
AT004	CER WN.N 0804..	DCS 12C4
AT004	CER WN.A 0804..	DCS 12C2

C.-SCLC(RL) EXT

P M K N S H

S

PRAMET



	DCON MS	WF	LF	KAPR	LAMS	GAMO		kg		
	[mm]	[mm]	[mm]	[°]	[°]	[°]				
C3-SCLCR/L-22040-09	32	22	40	95	0	0	✓	0,24	GI041	C-SC09S
C4-SCLCR/L-27050-09	40	27	50	95	0	0	✓	0,46	GI041	C-SC09S
C4-SCLCR-27050-12	40	27	50	95	0	0	✓	0,45	GI011	C-SC12-1
C5-SCLCR/L-35060-12	50	35	60	95	0	0	✓	0,85	GI011	C-SC12-2

GI041	CC.. 09T3..
GI011	CN.. 1606..

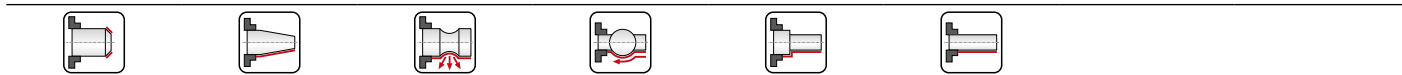
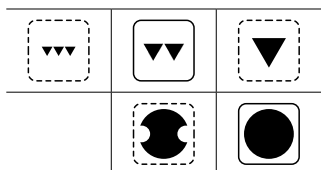
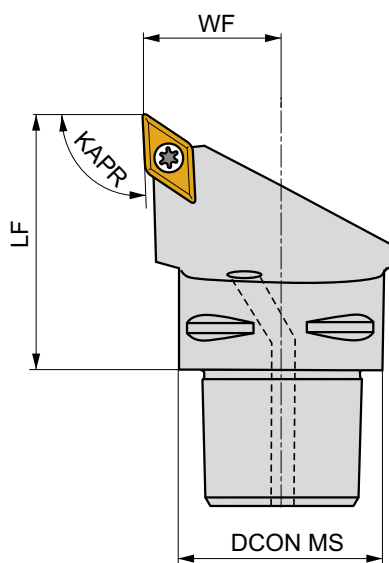
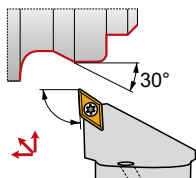
C-SC09S	US 2001-T15P	3,0	M3,5	12,1	SCS 232-01	MS 9001	FLAG T15P/3,5	CN 034-01
C-SC12-1	US 2018-T15P	3,0	M4	14	SCS 232-02	MS 9003	FLAG T15P/4	CN 034-01
C-SC12-2	US 2018-T15P	3,0	M4	14	SCS 232-02	MS 9003	FLAG T15P/4	CN 034-02

C.-SDJC(RL) EXT

P M K N S H

S

PRAMET



	DCON MS	WF	LF	KAPR	LAMS	GAMO				
	[mm]	[mm]	[mm]	[°]	[°]	[°]				
C3-SDJCR/L-22040-11	32	22	40	93	0	0	✓	0,21	GI012	C-SD11V-1
C4-SDJCR/L-27050-11	40	27	50	93	0	0	✓	0,41	GI012	C-SD11V-1
C5-SDJCR/L-35060-11	50	35	60	93	0	0	✓	0,69	GI012	C-SD11V-2

GI012	DC..11T3..

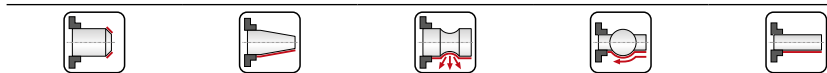
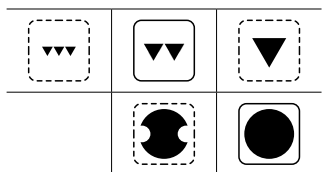
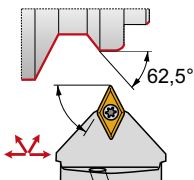
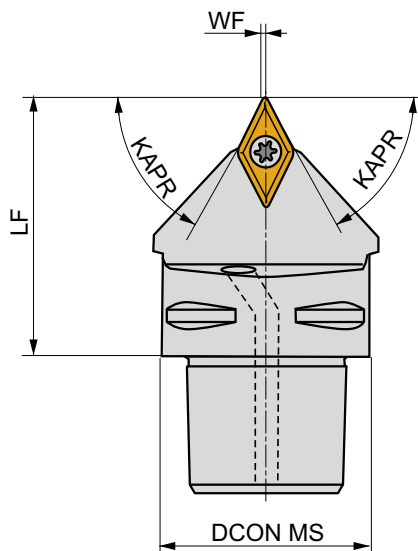
C-SD11V-1	US 2001-T15P	3,0	M3,5	12,1	SDS 263-01	MS 9001	FLAG T15P/3,5	CN 034-01	
C-SD11V-2	US 2001-T15P	3,0	M3,5	12,1	SDS 263-01	MS 9001	FLAG T15P/3,5	CN 034-02	

C.-SDNCN EXT

P M K N S H

S

PRAMET



	DCON MS	WF	LF	KAPR	LAMS	GAMO				
	[mm]	[mm]	[mm]	[°]	[°]	[°]				
C4-SDNCN-00050-11	40	0,5	50	62,5	0	0	✓	0,38	GI012	C-SD11V-1
C5-SDNCN-00060-11	50	0,5	60	62,5	0	0	✓	0,66	GI012	C-SD11V-2

GI012	DC. 11T3..

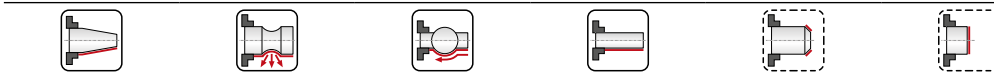
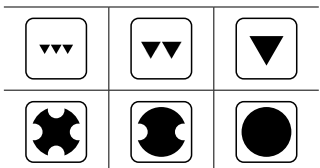
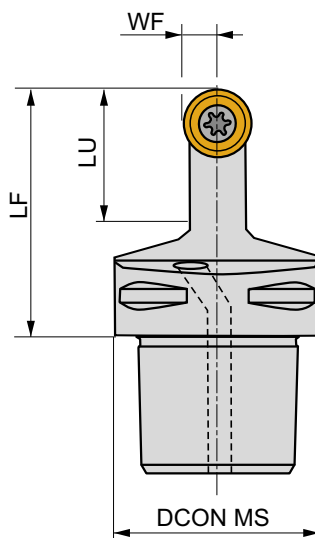
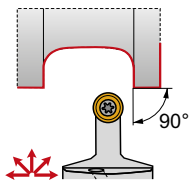
C-SD11V-1	US 2001-T15P	3,0	M3,5	12,1	SDS 263-01	MS 9001	FLAG T15P/3,5	CN 034-01
C-SD11V-2	US 2001-T15P	3,0	M3,5	12,1	SDS 263-01	MS 9001	FLAG T15P/3,5	CN 034-02

C.-SRDCN EXT

P M K N S H

S

PRAMET



	DCON MS	WF	LF	LU	LAMS	GAMO		kg		
	[mm]	[mm]	[mm]	[mm]	[°]	[°]				
C5-SRDCN-00060-10A	50	5	60	25	0	0	✓	0,62	GI013	C-SR10V
C4-SRDCN-00050-12A	40	6	50	28	0	0	✓	0,33	GI014	C-SR12V-1
C5-SRDCN-00060-12A	50	6	60	28	0	0	✓	0,62	GI014	C-SR12V-2

GI013	RC.. 10T3M0
GI014	RC.. 1204M0

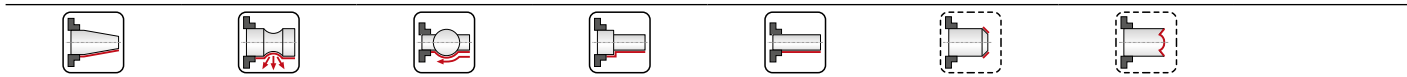
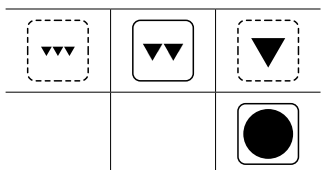
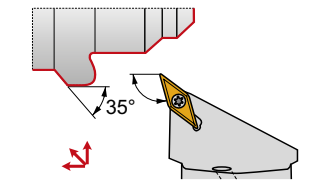
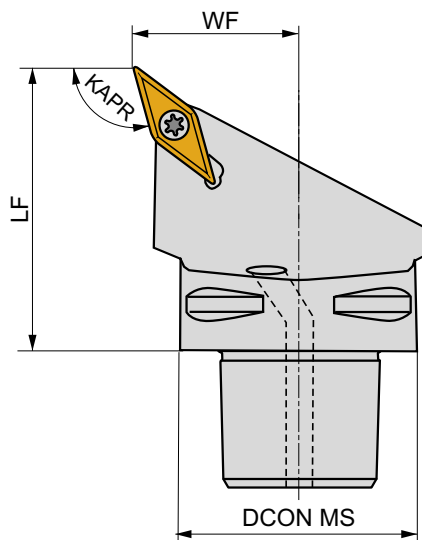
C-SR10V	US 2010-T15P	3,0	M3,5	10,1	SRS 110-01	MS 9001	FLAGT15P/3,5	CN 034-02
C-SR12V-1	US 2001-T15P	3,0	M3,5	12,1	SRS 110-02	MS 9001	FLAGT15P/3,5	CN 034-01
C-SR12V-2	US 2001-T15P	3,0	M3,5	12,1	SRS 110-02	MS 9001	FLAGT15P/3,5	CN 034-02

C.-SVHB(RL) EXT

P M K N S H

S

PRAMET



	DCON MS	WF	LF	KAPR	LAMS	GAMO		kg		
	[mm]	[mm]	[mm]	[°]	[°]	[°]				
C4-SVHBR/L-27050-16	40	27	50	107,5	0	0	✓	0,39	GI017	C-SV16S-1
C5-SVHBR/L-35060-16	50	35	60	107,5	0	0	✓	0,70	GI017	C-SV16S-2
C6-SVHBR/L-45065-16	63	45	65	107,5	0	0	✓	1,12	GI017	C-SV16S-2

GI017		VB.. 1604..							VC.. 1604..	

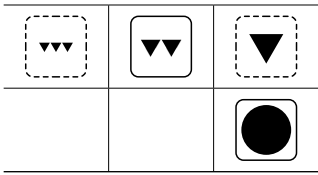
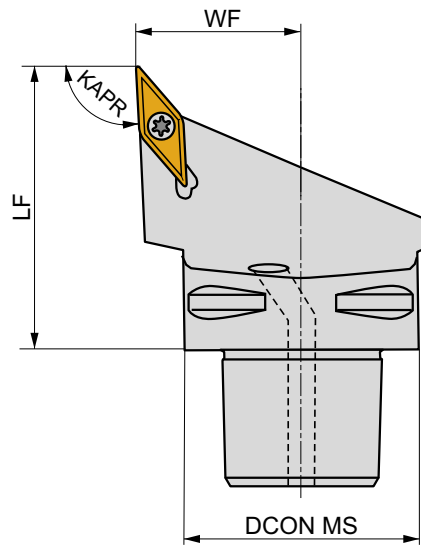
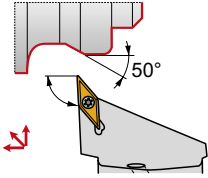
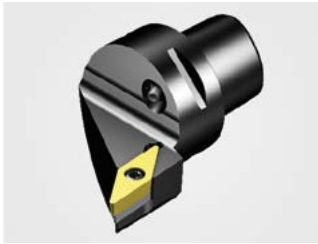
C-SV16S-1	US 2001-T15P	3,0	M3,5	12,1	SVS 270-01	MS 9001	FLAG T15P/3,5	CN 034-01
C-SV16S-2	US 2001-T15P	3,0	M3,5	12,1	SVS 270-01	MS 9001	FLAG T15P/3,5	CN 034-02

C.-SVJB(RL) EXT

P M K N S H

S

PRAMET



	DCON MS	WF	LF	KAPR	LAMS	GAMO		kg		
	[mm]	[mm]	[mm]	[°]	[°]	[°]				
C3-SVJBR-22040-11-B1	32	22	40	93	0	0	✓	0,20	GI194	C-SV11
C4-SVJBR-27050-11-B1	40	27	50	93	0	0	✓	0,38	GI194	C-SV11
C4-SVJBR/L-27050-16	40	27	50	93	0	0	✓	0,35	GI017	C-SV16S-1
C5-SVJBR/L-35060-16	50	35	60	93	0	0	✓	0,64	GI017	C-SV16S-2
C6-SVJBR/L-45065-16	63	45	65	93	0	0	✓	1,11	GI017	C-SV16S-2

GI194	VB.. 1103..	VC.. 1103..
GI017	VB.. 1604..	VC.. 1604..

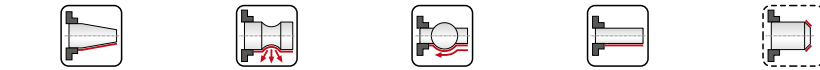
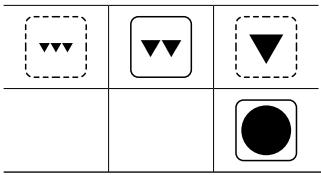
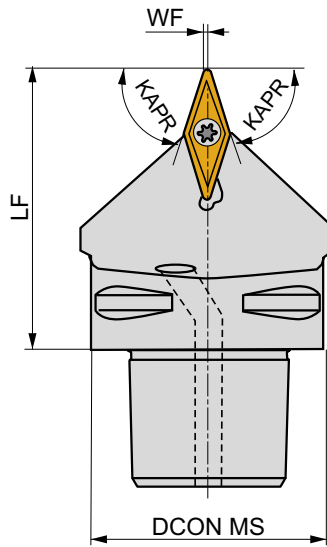
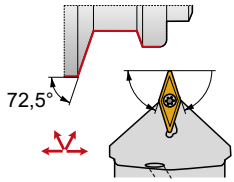
C-SV11	US 2003-T07P	0,8	M2,5	6,5	-	-	FLAGT07P	CN 034-01	
C-SV16S-1	US 2001-T15P	3,0	M3,5	12,1	SVS 270-01	MS 9001	FLAGT15P/3,5	CN 034-01	
C-SV16S-2	US 2001-T15P	3,0	M3,5	12,1	SVS 270-01	MS 9001	FLAGT15P/3,5	CN 034-02	

C.-SVVBN EXT

P M K N S H

S

PRAMET



	DCON MS	WF	LF	KAPR	LAMS	GAMO				
	[mm]	[mm]	[mm]	[°]	[°]	[°]				
C4-SVVBN-00050-16	40	0,6	50	72,5	0	0	✓	0,36	GI017	C-SV16S-1
C5-SVVBN-00060-16	50	0,6	60	72,5	0	0	✓	0,56	GI017	C-SV16S-2
C6-SVVBN-00065-16	63	0,6	65	72,5	0	0	✓	1,00	GI017	C-SV16S-2

GI017		VB.. 1604..		VC.. 1604..

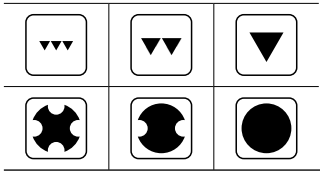
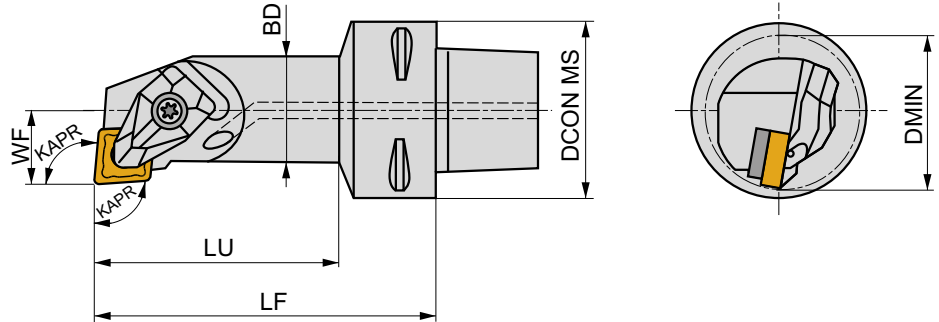
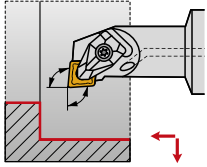
C-SV16S-1	US 2001-T15P	3,0	M3,5	12,1	SVS 270-01	MS 9001	FLAG T15P/3,5	CN 034-01
C-SV16S-2	US 2001-T15P	3,0	M3,5	12,1	SVS 270-01	MS 9001	FLAG T15P/3,5	CN 034-02

C.-DCLN(RL) INT

P M K N S H

D

PRAMET



	DCON MS	DIMN	WF	LF	LU	BD	KAPR	LAMS	GAMO				
	[mm]	[mm]	[mm]	[mm]	[mm]	[mm]	[°]	[°]	[°]				
C4-DCLNR-13080-09	40	25	13	80	57	20	95	-14	-6	✓	0,43	G133	DC09
C4-DCLNR/L-17090-12	40	32	17	90	68	25	95	-12	-6	✓	0,53	G1043	DCI12
C5-DCLNR/L-17090-12	50	32	17	90	66	25	95	-12	-6	✓	0,73	G1043	DCI12
C6-DCLNR-17100-12	63	32	17	100	72	25	95	-12	-6	✓	1,14	G1043	DCI12
C6-DCLNR-27140-16	63	50	27	140	114	40	95	-16	-6	✓	1,80	G1050	DC16

G133		CN.. 0903..
G1043		CN.. 1204..
G1050		CN.. 1606..

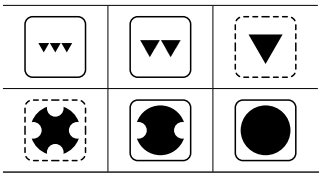
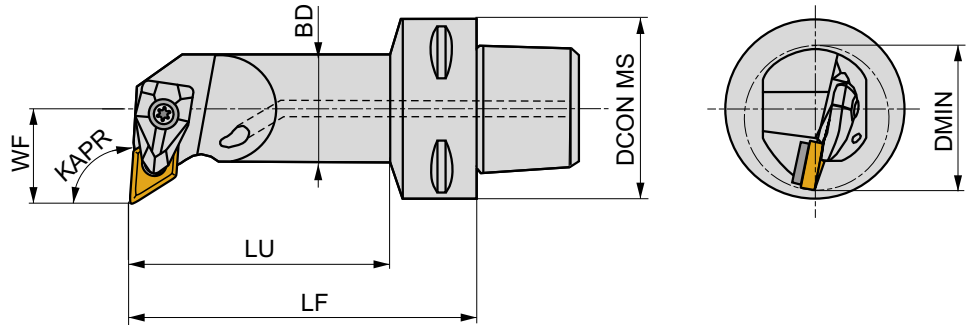
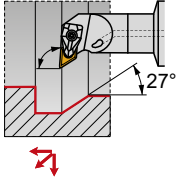
DC09	DCS 09	1,7	DCS 236-04	US 2004-T09P	FLAG T09P	-
DCI12	DCS 12	3,9	DCS 234-01	US 2002-T15P	FLAG T15P/3,5	-
DC16	DCS 16	6,4	DCS 234-03	US 2007-T20P	-	LKT20P

C-DDUN(RL) INT

P M K N S H

D

PRAMET



	DCON MS	DIMN	WF	LF	LU	BD	KAPR	LAMS	GAMO				
	[mm]	[mm]	[mm]	[mm]	[mm]	[mm]	[°]	[°]	[°]		kg		
C4-DDUNR/L-17090-11	40	32	17	90	68	25	93	-12	-6	✓	0,51	GI046	DD11

GI046	DN.. 1104..
-------	-------------

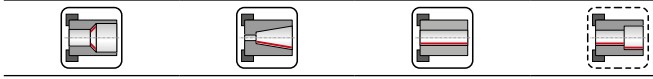
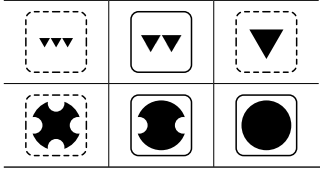
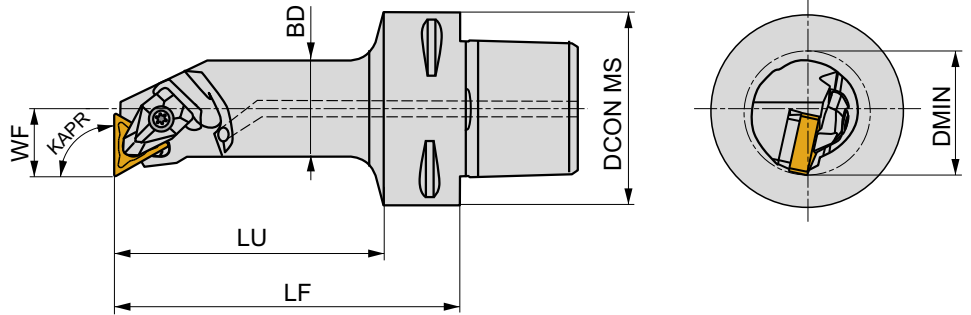
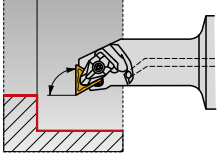
DD11	DCS 09	1,7 Nm	DDS 267-01	US 2004-T09P	FLAG T09P
------	--------	--------	------------	--------------	-----------

C.-DTFN(RL) INT

P M K N S H

D

PRAMET



	DCON MS	DIMN	WF	LF	LU	BD	KAPR	LAMS	GAMO				
	[mm]	[mm]	[mm]	[mm]	[mm]	[mm]	[°]	[°]	[°]		kg	GI024	DTI16
C4-DTFNR-17090-16	40	32	17	90	68	25	91	-12	-6	✓	0,55	GI024	DTI16

GI024	TN.. 1604..

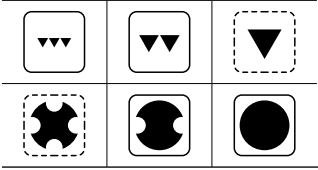
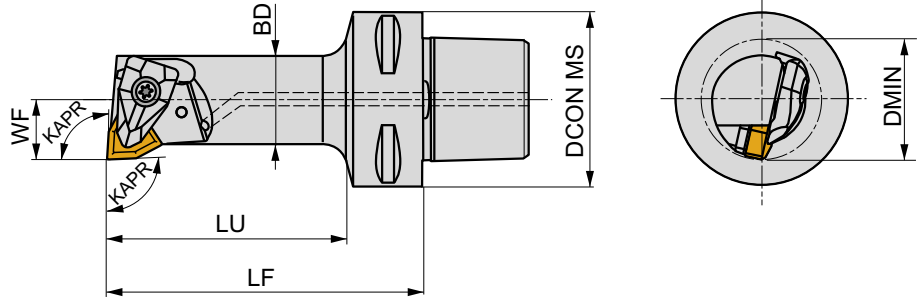
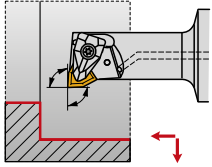
DTI16	DCS 09	1,7	DTS 316-01	US 2004-T09P	FLAG T09P

C-DWLN(RL) INT

P M K N S H

D

PRAMET



	DCON MS	DIMN	WF	LF	LU	BD	KAPR	LAMS	GAMO				
	[mm]	[mm]	[mm]	[mm]	[mm]	[mm]	[°]	[°]	[°]				
C4-DWLN(RL)-13075-06	40	27	13	75	52	20	95	-17	-6	✓	0,42	GI028	DW06
C4-DWLN(RL)-17090-08	40	33	17	90	68	25	95	-12	-6	✓	0,53	GI072	DW108

GI028							WN.. 0604..						
GI072							WN.. 0804..						

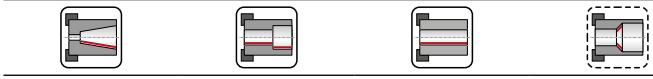
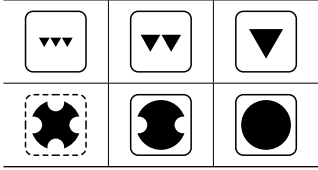
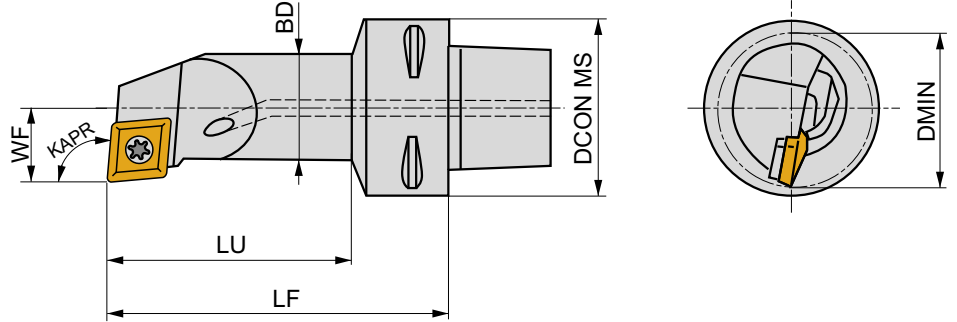
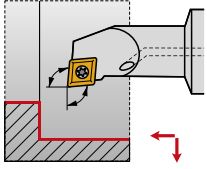
DW06	DCS 09	1,7	DWS 328-01	US 2004-T09P	FLAG T09P
DW108	DCS 12	3,9	DWS 328-02	US 2002-T15P	FLAG T15P/3,5

C.-SCLC(RL) INT

P M K N S H

S

PRAMET



	DCON MS	DMIN	WF	LF	LU	BD	KAPR	LAMS	GAMO		kg		
	[mm]	[mm]	[mm]	[mm]	[mm]	[mm]	[°]	[°]	[°]				
C3-SCLCR-11065-09	32	20	11	65	48	16	95	-8,4	0	✓	0,20	G1041	SC09M
C3-SCLCR-13075-09	32	25	13	75	58	20	95	-5,8	0	✓	0,26	G1041	SC09M
C4-SCLCR/L-11070-09	40	20	11	70	47	16	95	-8,4	0	✓	0,36	G1041	SC09M
C4-SCLCR/L-13080-09	40	25	13	80	57	20	95	-5,8	0	✓	0,41	G1041	SC09M
C4-SCLCR-17090-09	40	32	17	90	68	25	95	-3,4	0	✓	0,52	G1041	SC09M
C5-SCLCR/L-11070-09	50	20	11	70	46	16	95	-8,4	0	✓	0,57	G1041	SC09M
C5-SCLCR/L-13080-09	50	25	13	80	56	20	95	-5,8	0	✓	0,65	G1041	SC09M

G1041 CC. 09T3..

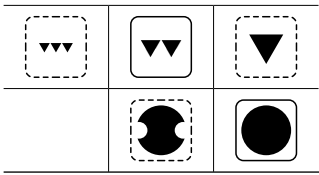
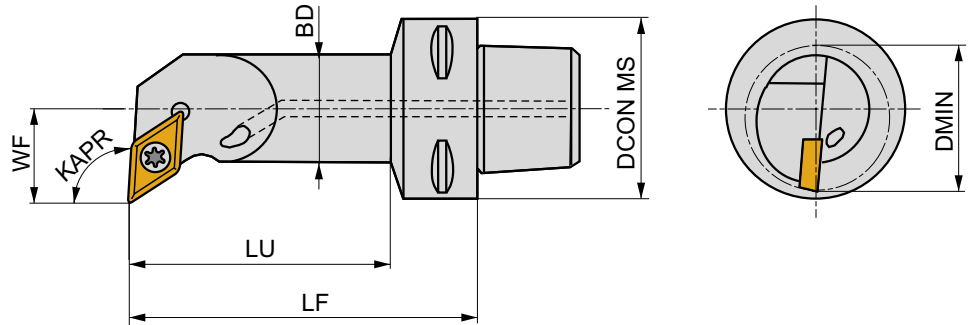
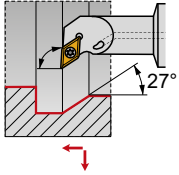
SC09M US 2009-T15P 3,0 M3,5 10,1 FLAGT15P/3,5

C.-SDUC(RL) INT

P M K N S H

S

PRAMET



	DCON MS	DMIN	WF	LF	LU	BD	KAPR	LAMS	GAMO				
	[mm]	[mm]	[mm]	[mm]	[mm]	[mm]	[°]	[°]	[°]				
C3-SDUCR-11065-07	50	20	11	65	48	16	93	-4,3	0	✓	0,20	GI052	SV11
C4-SDUCR/L-11070-07	40	20	11	70	47	16	93	-4,3	0	✓	0,36	GI052	SV11
C4-SDUCR/L-13080-11	40	25	13	80	57	20	93	-5,8	0	✓	0,41	GI012	SC09M
C4-SDUCR/L-17090-11	40	32	17	90	68	25	93	-3,4	0	✓	0,52	GI012	SV16
C5-SDUCR/L-13080-11	50	25	13	80	56	20	93	-5,8	0	✓	0,65	GI012	SC09M
C5-SDUCR-17090-11	50	32	17	90	67	25	93	-3,4	0	✓	0,69	GI012	SV16

GI052	DC.. 0702..
GI012	DC.. 11T3..

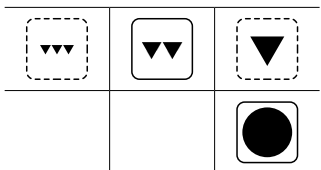
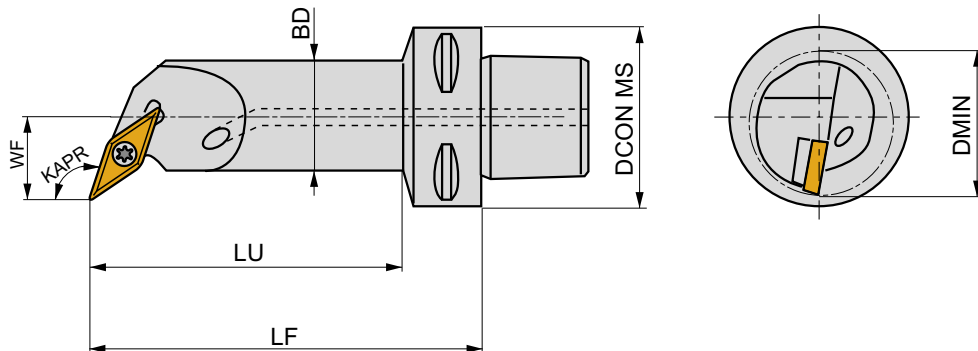
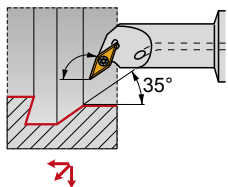
SV11	US 2003-T07P	0,8	M2,5	6,5	FLAGT07P
SC09M	US 2009-T15P	3,0	M3,5	10,1	FLAGT15P/3,5
SV16	US 2010-T15P	3,0	M3,5	10,1	FLAGT15P/3,5

C-SVQB(RL) INT

P M K N S H

S

PRAMET

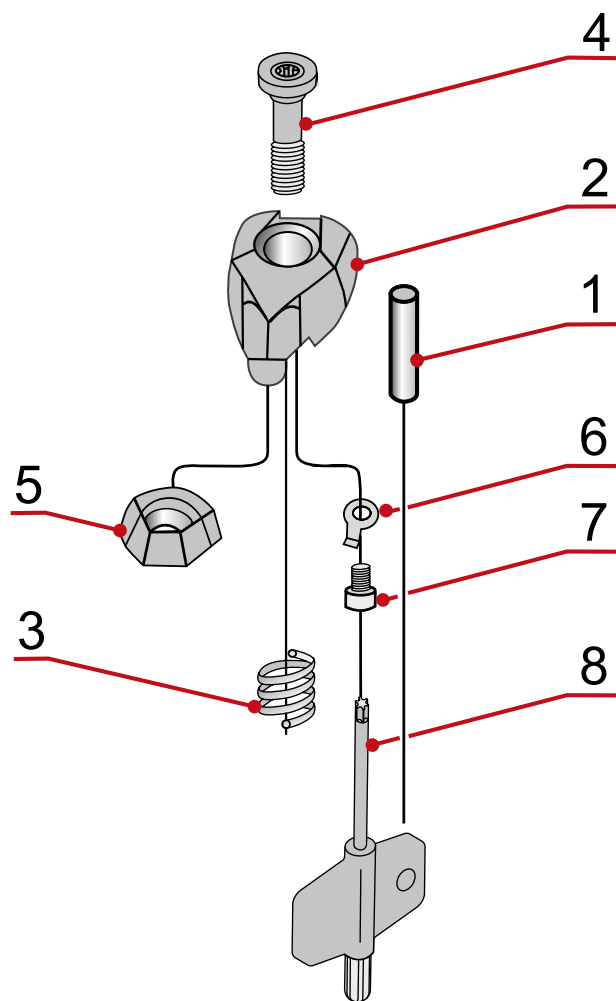


	DCON MS	DMIN	WF	LF	LU	BD	KAPR	LAMS	GAMO		kg		
	[mm]	[mm]	[mm]	[mm]	[mm]	[mm]	[°]	[°]	[°]				
C4-SVQBR/L-18090-16	40	33	18	90	68	25	108	-7,2	0	✓	0,50	GI017	SV16
C5-SVQBR/L-18090-16	50	33	18	90	67	25	108	-7,2	0	✓	0,68	GI017	SV16

	GI017		VB.. 1604..									VC.. 1604..
--	-------	--	-------------	--	--	--	--	--	--	--	--	-------------

SV16	US 2010-T15P	3,0	M3,5		10,1	FLAGT15P/3,5

COMPLETE CLAMP SET



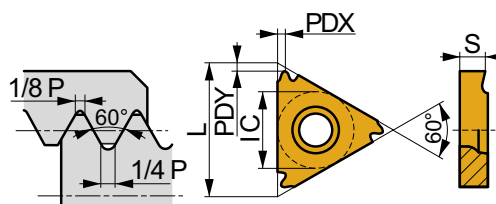
	1	2	3	4		5	6	7	8
DCS 09	CP 2655	CD 09	PR 0157	CS 8601-T09P	1,7	-	-	-	-
DCS 12	CP 2607	CD 12	PR 0158	CS 8602-T15P	3,9	-	-	-	-
DCS 16	CP 2607	CD 16	PR 0159	CS 8603-T20P	6,4	-	-	-	-
DCS 19	CP 2607	CD 19	PR 0159	CS 8603-T20P	6,4	-	-	-	-
DCS 25	CP 2607	CD 25	PR 0101	CS 8604-T25P	9,5	-	-	-	-
DCS 16V	CP 2607	CD 16V	PR 0158	CS 8602-T15P	3,9	-	-	-	-
DCS 12C2	CP 2607	CD 12C2	PR 0158	CS 8602-T15P	3,9	PP 3002	H 1201	CS 9701-T07P	FLAG T07P
DCS 16C2	CP 2607	CD 16C2	PR 0159	CS 8603-T20P	6,4	PP 3003	H 1201	CS 9701-T07P	FLAG T07P
DCS 12C4	CP 2607	CD 12C4	PR 0158	CS 8602-T15P	3,9	PP 3002	H 1201	CS 9701-T07P	FLAG T07P
DCS 16C4	CP 2607	CD 16C4	PR 0159	CS 8603-T20P	6,4	PP 3003	H 1201	CS 9701-T07P	FLAG T07P



TN M EXT

PRAMET

	IC	L	S
16	9,525	16,5	3,47



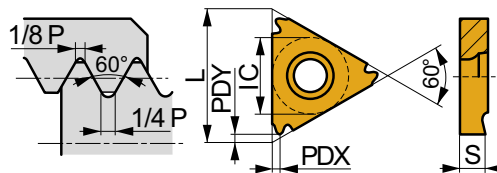
2019
M159

i		ISO		P	M	K	N	S	H	?		RE	FN	FX	CDN	CDX	TP	TPI	PDX	PDY
		TN 16ER050M-AL	HF7				■			●	+++	-	-	-	-	-	0,5	-	0,8	0,8
1		TN 16ER075M-AL	HF7				■			●	+++	-	-	-	-	-	0,75	-	0,8	0,8
		TN 16ER080M-AL	HF7				■			●	+++	-	-	-	-	-	0,8	-	0,6	0,8
F		TN 16ER100M-AL	HF7				■			●	+++	-	-	-	-	-	1	-	0,8	0,8
	10°	TN 16ER125M-AL	HF7				■			●	+++	-	-	-	-	-	1,25	-	0,8	0,8
		TN 16ER150M-AL	HF7				■			●	+++	-	-	-	-	-	1,5	-	0,8	0,8
		TN 16ER175M-AL	HF7				■			●	+++	-	-	-	-	-	1,75	-	1,5	1,2
		TN 16ER200M-AL	HF7				■			●	+++	-	-	-	-	-	2	-	1,5	1,2
		TN 16ER250M-AL	HF7				■			●	+++	-	-	-	-	-	2,5	-	1,5	1,2
		TN 16ER300M-AL	HF7				■			●	+++	-	-	-	-	-	3	-	1,5	1,2

TN M INT

PRAMET

	IC	L	S
16	9,525	16,5	3,47

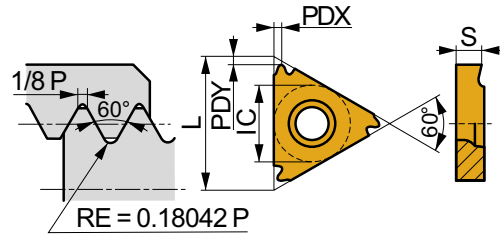


2019
T160

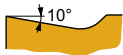
i		ISO		P	M	K	N	S	H	?		RE	FN	FX	CDN	CDX	TP	TPI	PDX	PDY
		TN 16NR050M-AL	HF7				■			●	+++	-	-	-	-	-	0,5	-	0,8	0,8
1		TN 16NR075M-AL	HF7				■			●	+++	-	-	-	-	-	0,75	-	0,8	0,8
		TN 16NR100M-AL	HF7				■			●	+++	-	-	-	-	-	1	-	0,8	0,8
F		TN 16NR125M-AL	HF7				■			●	+++	-	-	-	-	-	1,25	-	0,8	0,8
	15°	TN 16NR150M-AL	HF7				■			●	+++	-	-	-	-	-	1,5	-	0,8	0,8
		TN 16NR175M-AL	HF7				■			●	+++	-	-	-	-	-	1,75	-	1,5	1,2
		TN 16NR200M-AL	HF7				■			●	+++	-	-	-	-	-	2	-	1,5	1,2
		TN 16NR250M-AL	HF7				■			●	+++	-	-	-	-	-	2,5	-	1,5	1,2
		TN 16NR300M-AL	HF7				■			●	+++	-	-	-	-	-	3	-	1,5	1,2

TN MJ EXT

	IC	L	S
16	9,525	16,5	3,47

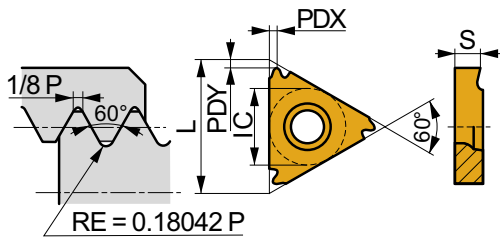


i		ISO		P	M	K	N	S	H	?		RE	FN	FX	CDN	CDX	TP	TPI	PDX	PDY
		TN 16ER100MJ	T8030	■	■	■		■		●	+++	-	-	-	-	-	1	-	0,8	0,8
1		TN 16ER150MJ	T8030	■	■	■		■		●	+++	-	-	-	-	-	1,5	-	0,8	0,8
U																				
E																				

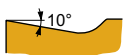


TN UNJ EXT

	IC	L	S
16	9,525	16,5	3,47



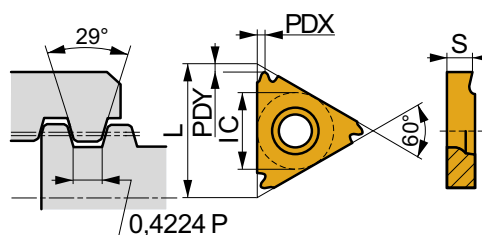
i		ISO		P	M	K	N	S	H	?		RE	FN	FX	CDN	CDX	TP	TPI	PDX	PDY
		TN 16ER320UNJ	T8030	■	■	■		■		●	+++	-	-	-	-	-	-	32	0,8	0,8
1		TN 16ER280UNJ	T8030	■	■	■		■		●	+++	-	-	-	-	-	-	28	0,8	0,8
		TN 16ER240UNJ	T8030	■	■	■		■		●	+++	-	-	-	-	-	-	24	0,8	0,8
U		TN 16ER200UNJ	T8030	■	■	■		■		●	+++	-	-	-	-	-	-	20	0,8	0,8
		TN 16ER180UNJ	T8030	■	■	■		■		●	+++	-	-	-	-	-	-	18	0,8	0,8
E		TN 16ER160UNJ	T8030	■	■	■		■		●	+++	-	-	-	-	-	-	16	1,5	1,2
		TN 16ER120UNJ	T8030	■	■	■		■		●	+++	-	-	-	-	-	-	12	1,5	1,2
		TN 16EL320UNJ	T8030	■	■	■		■		●	+++	-	-	-	-	-	-	32	0,8	0,8
1		TN 16EL280UNJ	T8030	■	■	■		■		●	+++	-	-	-	-	-	-	28	0,8	0,8
		TN 16EL240UNJ	T8030	■	■	■		■		●	+++	-	-	-	-	-	-	24	0,8	0,8
U		TN 16EL200UNJ	T8030	■	■	■		■		●	+++	-	-	-	-	-	-	20	0,8	0,8
		TN 16EL180UNJ	T8030	■	■	■		■		●	+++	-	-	-	-	-	-	18	0,8	0,8
E		TN 16EL160UNJ	T8030	■	■	■		■		●	+++	-	-	-	-	-	-	16	1,5	1,2
		TN 16EL120UNJ	T8030	■	■	■		■		●	+++	-	-	-	-	-	-	12	1,5	1,2



TN STACME EXT

PRAMET

	IC	L	S
16	9,525	16,5	3,47

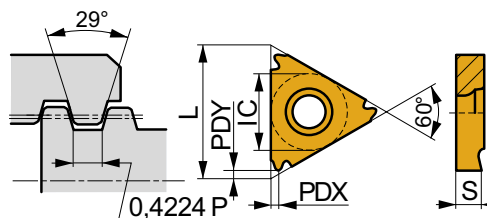


i	ISO		P	M	K	N	S	H	?	RE	FN	FX	CDN	CDX	TP	TPI	PDX	PDY
	TN 16ER160STACME	T8030	■	■	■		☑		●	+++	-	-	-	-	-	16	0,8	0,8
	TN 16ER120STACME	T8030	■	■	■		☑		●	+++	-	-	-	-	-	12	0,8	0,8
	TN 16ER100STACME	T8030	■	■	■		☑		●	+++	-	-	-	-	-	10	1,5	1,3
	TN 16ER080STACME	T8030	■	■	■		☑		●	+++	-	-	-	-	-	8	1,5	1,3
	TN 16ER060STACME	T8030	■	■	■		☑		●	+++	-	-	-	-	-	6	1,4	1,3
	TN 16EL160STACME	T8030	■	■	■		☑		●	+++	-	-	-	-	-	16	0,8	0,8
	TN 16EL120STACME	T8030	■	■	■		☑		●	+++	-	-	-	-	-	12	0,8	0,8
	TN 16EL100STACME	T8030	■	■	■		☑		●	+++	-	-	-	-	-	10	1,5	1,3
	TN 16EL080STACME	T8030	■	■	■		☑		●	+++	-	-	-	-	-	8	1,5	1,3
	TN 16EL060STACME	T8030	■	■	■		☑		●	+++	-	-	-	-	-	6	1,4	1,3

TN STACME INT


PRAMET


	IC	L	S
16	9,525	16,5	3,47



i	ISO		P	M	K	N	S	H	?	RE	FN	FX	CDN	CDX	TP	TPI	PDX	PDY
	TN 16NR160STACME	T8030	■	■	■		☑		●	+++	-	-	-	-	-	16	0,8	0,8
	TN 16NR120STACME	T8030	■	■	■		☑		●	+++	-	-	-	-	-	12	0,8	0,8
	TN 16NR100STACME	T8030	■	■	■		☑		●	+++	-	-	-	-	-	10	1,5	1,3
	TN 16NR080STACME	T8030	■	■	■		☑		●	+++	-	-	-	-	-	8	1,5	1,3
	TN 16NR060STACME*	T8030	■	■	■		☑		●	+++	-	-	-	-	-	6	1,3	1,3
	TN 16NL160STACME	T8030	■	■	■		☑		●	+++	-	-	-	-	-	16	0,8	0,8
	TN 16NL120STACME	T8030	■	■	■		☑		●	+++	-	-	-	-	-	12	0,8	0,8
	TN 16NL100STACME	T8030	■	■	■		☑		●	+++	-	-	-	-	-	10	1,5	1,3
	TN 16NL080STACME	T8030	■	■	■		☑		●	+++	-	-	-	-	-	8	1,5	1,3
	TN 16NL060STACME*	T8030	■	■	■		☑		●	+++	-	-	-	-	-	6	1,3	1,3

NEW ITEMS LIST

ISO	
CCMT 09T302E-UR	T6310
CCMT 09T302E-UR	T8330
CNMG 160612E-R	T7335
CNMG 160616E-NMR	T9315
DCMT 11T304E-FM	T9310
DCMT 11T308E-FM	T9310
DNMG 150612E-FM	T9310
TNMG 160412E-FM	T9310
TNMG 160412E-SF	T6310
TNMG 160412E-SF	T9325
TNMG 160412E-SM	T6310
TNMG 220404E-SF	T6310
TNMG 220404E-SF	T7325
TNMG 220404E-SF	T9325
TNMG 220412E-SF	T6310
TNMG 220412E-SF	T7325
TNMG 220412E-SF	T9325
TNMG 220412E-SM	T6310
VBMT 160408E-FM	T9310
VCGT 130302E-NF2	T6310
VCGT 130308E-NF2	T6310
WNMG 060408E-SF	T9315
WNMG 060412E-RM	T9310

ISO	
TN 16EL080ACME	T8030
TN 16EL100ACME	T8030
TN 16EL120ACME	T8030
TN 16NL080ACME	T8030
TN 16NL100ACME	T8030
TN 16NL120ACME	T8030
TN 16NR100ACME	T8030
TN 16NR120ACME	T8030
TN 22NL060ACME	T8030
TN 16EL110BSPT	T8030
TN 16EL140BSPT	T8030
TN 16EL190BSPT	T8030
TN 16EL280BSPT	T8030
TN 16ER190BSPT	T8030
TN 16ER280BSPT	T8030
TN 16NL110BSPT	T8030
TN 16NL140BSPT	T8030
TN 16NL190BSPT	T8030
TN 16NL280BSPT	T8030
TN 16NR190BSPT	T8030
TN 16NR280BSPT	T8030
TN 16EL350M*	T8030
TN 16ER350M*	T8030

ISO	
TN 16NL350M*	T8030
TN 16NR350M*	T8030
TN 16EL060RD*	T8030
TN 16EL080RD	T8030
TN 16EL100RD	T8030
TN 16NL060RD*	T8030
TN 16NL080RD	T8030
TN 16NL100RD	T8030
TN 16EL240W	T8030
TN 16EL260W	T8030
TN 16ER240W	T8030
TN 16ER260W	T8030
TN 16NL240W	T8030
TN 16NL260W	T8030
TN 16NR240W	T8030
TN 16NR260W	T8030

* Toolholders have to be modified

MILLING





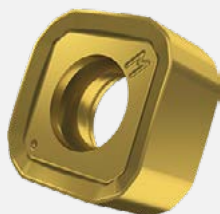
HIGH FEED MILLING WITH EIGHT INDEXES UP TO 1.7 mm DEPTH

Wide range of tools for economical high feed milling in die and mold and general machining industries. Strong inserts with eight cutting edges for high performance machining of various materials and applications.

FEATURES & BENEFITS

- Double-sided square inserts with eight cutting edges
- Axial depth of cut up to 1.7 mm
- Strong main cutting edge
- MM geometry designed for smoother cut
- Cutters for copy milling, helical interpolation, ramping and face milling
- Diameter range 32 mm - 125 mm with intermediate sizes for die and mold
- End mills, modular and shell mills
- All cutters feature special through coolant design
- **Cost savings** - eight indexes for price-per-edge efficiency
- **Increased productivity** - High feed milling with up to 50% higher metal removal rates due to greater depths
- **Process security** - Especially when machining corners inside a pocket
- **Avoids chatter** - Suitable for 5-10 x D reach (high overhang)
- **Complete die and mold solution** - Wide range of applications, machined materials, cutters diameters and types

INSERT GEOMETRIES

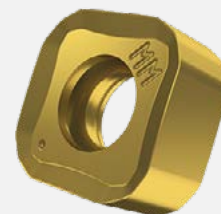


NEW

M

GEOMETRY M

- Steels and cast steels
- Secondary: cast iron



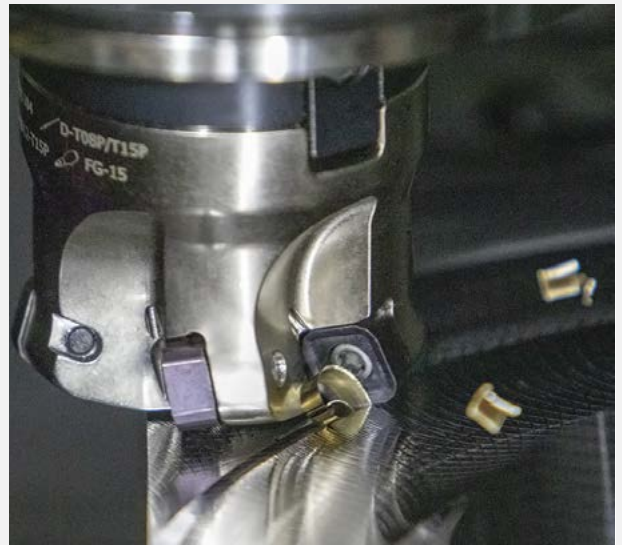
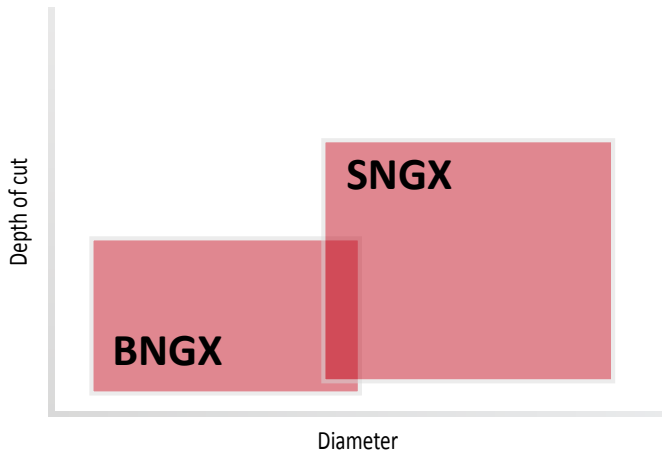
NEW

MM

GEOMETRY MM

- Stainless steels, soft steels and cast steels, and superalloys

AREA OF APPLICATION



MACHINING EXAMPLE

Material: Tool steel 1.2343 (300 HB)
 Material group: P
 Workpiece: Plate
 Insert: SNGX 110416SR-M:M8310
 Tool: HFC face milling cutter
 50A05R-SMOSN11-C
 Coolant: No

Operation			Face milling
Insert geometry			M
Cutting speed	v_c	m/min	200
Feed per tooth	f_z	mm	1,2
Feed per minute	f	mm/min	8520
Axial depth of cut	a_p	mm	1,5
Radial depth of cut	a_e	mm	35



SSN11

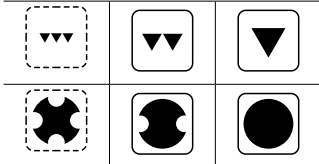
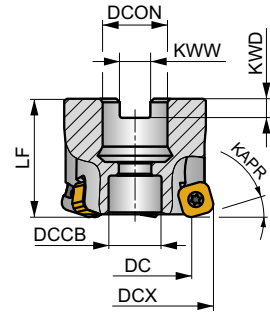
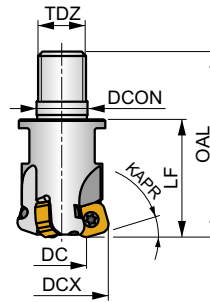
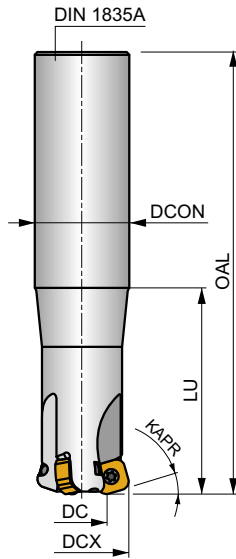
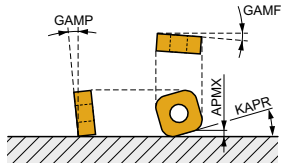
P M K S H

PRAMET

S



KAPR	18°
APMX	1,7 mm



0,20-0,46
h_m

0,20-0,46
h_m



ISO	DCX	DC	OAL	LF	DCON MS	DCCB	LU	TDZ	KWW	KWD	GAMP	GAMF	max.	kg	G339	C0314	C0316	C0318	C0320	C0322	C0324	AC001	AC002	AC003	
																									[mm]
32E3R070A32-SSN11-C	32	18,3	150	-	32	-	70	-	-	-	-10	-11,5	3	-	17500	✓	0,69	G339	C0314	-	-	-	-	-	-
32E3R120A32-SSN11-C	32	18,3	200	-	32	-	120	-	-	-	-10	-11,5	3	-	17500	✓	0,89	G339	C0314	-	-	-	-	-	-
35E3R050A32-SSN11-C	35	21,2	200	-	32	-	50	-	-	-	-10	-11	3	-	16800	✓	1,05	G339	C0314	-	-	-	-	-	-
32E3R040M16-SSN11-C	32	18,3	63	40	17	-	-	M16	-	-	-10	-11,5	3	-	-	✓	0,17	G339	C0314	-	-	-	-	-	
35E3R040M16-SSN11-C	35	21,2	63	40	17	-	-	M16	-	-	-10	-11	3	-	-	✓	0,19	G339	C0314	-	-	-	-	-	
40E4R043M16-SSN11-C	40	26,2	66	43	17	-	-	M16	-	-	-10	-10,5	4	✓	-	✓	0,23	G339	C0314	-	-	-	-	-	
40A04R-SMOSN11-C	40	26,2	-	40	16	12,4	-	-	8,4	5,6	-10	-10,5	4	✓	15700	✓	0,19	G339	C0316	-	-	-	-	-	
42A04R-SMOSN11-C	42	28,2	-	40	16	14,1	-	-	8,4	5,6	-10	-10,5	4	✓	15300	✓	0,21	G339	C0318	-	-	-	-	-	
50A05R-SMOSN11-C	50	36,1	-	40	22	18,1	-	-	10,4	6,3	-10	-10	5	✓	14000	✓	0,31	G339	C0320	-	-	-	-	-	
50A06R-SMOSN11-C	50	36,1	-	40	22	18,1	-	-	10,4	6,3	-10	-10	6	✓	14000	✓	0,31	G339	C0320	-	-	-	-	-	
52A05R-SMOSN11-C	52	38,1	-	40	22	18,1	-	-	10,4	6,3	-10	-10	5	✓	13800	✓	0,34	G339	C0320	-	-	-	-	-	
52A06R-SMOSN11-C	52	38,1	-	40	22	18,1	-	-	10,4	6,3	-10	-10	6	✓	13800	✓	0,33	G339	C0320	-	-	-	-	-	
63A06R-SMOSN11-C	63	49,1	-	40	22	18,1	-	-	10,4	6,3	-10	-10	6	✓	12500	✓	0,46	G339	C0320	-	-	-	-	-	
63A08R-SMOSN11-C	63	49,1	-	40	22	18,1	-	-	10,4	6,3	-10	-10	8	✓	12500	✓	0,47	G339	C0320	-	-	-	-	-	
66A06R-SMOSN11-C	66	52,1	-	50	27	18,1	-	-	12,4	7	-10	-10	6	✓	12200	✓	0,74	G339	C0322	-	-	-	-	-	
66A08R-SMOSN11-C	66	52,1	-	50	27	18,1	-	-	12,4	7	-10	-10	8	✓	12200	✓	0,75	G339	C0322	-	-	-	-	-	
80A07R-SMOSN11-C	80	66,1	-	50	27	38,1	-	-	12,4	7	-10	-10	7	✓	11100	✓	0,95	G339	C0324	AC001	-	-	-	-	
80A09R-SMOSN11-C	80	66,1	-	50	27	38,1	-	-	12,4	7	-10	-10	9	✓	11100	✓	0,93	G339	C0324	AC001	-	-	-	-	
100A08R-SMOSN11-C	100	86,1	-	50	32	45,1	-	-	14,4	8	-10	-10	8	✓	9900	✓	1,63	G339	C0324	AC002	-	-	-	-	
115A08R-SMOSN11-C	115	101,1	-	50	32	45,1	-	-	14,4	8	-10	-10	8	✓	9200	✓	2,09	G339	C0324	AC002	-	-	-	-	
125A08R-SMOSN11-C	125	111,1	-	63	40	56,1	-	-	16,4	9	-10	-10	8	✓	8900	✓	3,16	G339	C0324	AC003	-	-	-	-	



G339



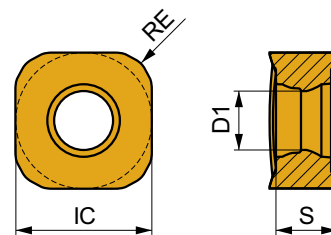
SNGX 1104..

CO314	US 44012-T15P	3,5	M4	12	-	-	Flag T15P	-	-
CO316	US 44012-T15P	3,5	M4	12	D-T08P/T15P	FG-15	-	HCS0840C	-
CO318	US 44012-T15P	3,5	M4	12	D-T08P/T15P	FG-15	-	HS90835	-
CO320	US 44012-T15P	3,5	M4	12	D-T08P/T15P	FG-15	-	HS1030C	-
CO322	US 44012-T15P	3,5	M4	12	D-T08P/T15P	FG-15	-	HS1230C	-
CO324	US 44012-T15P	3,5	M4	12	D-T08P/T15P	FG-15	-	-	-

AC001	KS 1230	K.FMH27
AC002	KS 1635	K.FMH32
AC003	KS 2040	K.FMH40

SNGX 11

	IC	D1	S
1104	10,6	4,56	4,76



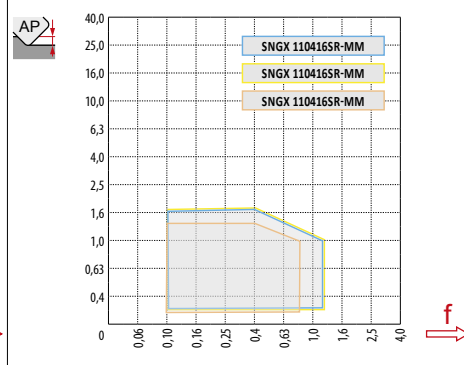
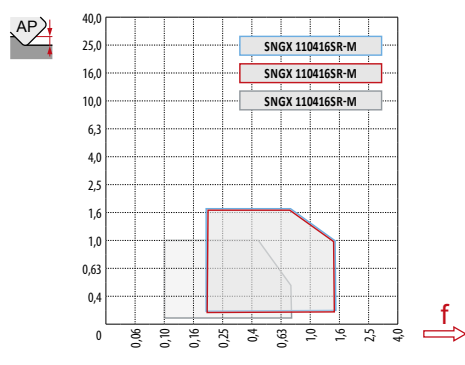
		ISO		P	M	K	N	S	H			RE	FN	FX	APMN	APMX		
 	 	SNGX 110416SR-M		M9325	■					●	---	1,6	0,2	1,13	0,2	1,7		
				M9340	■						●	---	1,6	0,2	1,13	0,2	1,7	
				M8310	■	■			■			●	-	1,6	0,2	1,5	0,2	1,7
				M8330	■	■			■			●	-	1,6	0,2	1,5	0,2	1,7
				M8340	■	■			■			●	+/-	1,6	0,2	1,5	0,2	1,7
 	 	SNGX 110416SR-MM		M9340	■	■			■	●	---	1,6	0,1	0,9	0,2	1,7		
				M6330	■	■			■		●	-	1,6	0,1	1,2	0,2	1,7	
				M8340	■	■			■		●	+/-	1,6	0,1	1,2	0,2	1,7	
				M8345	■	■			■		●	+/-	1,6	0,1	1,2	0,2	1,7	
				8215	■	■			■		●	-	1,6	0,2	1,5	0,2	1,7	

ISO	FN	FX	M9325	M9340	M6330	M8310	M8330	M8340	M8345	8215	
P	●	0,20	1,50	335	299	230	290	273	246	193	275
	●	0,20	1,25	308	275	212	267	251	227	177	253
	●	0,20	1,00	265	236	182	229	215	195	152	217
M	●	0,10	1,20	-	175	163	-	-	143	113	-
	●	0,10	1,00	-	161	150	-	-	131	104	-
	●	0,10	0,80	-	138	128	-	-	113	89	-
K	●	0,20	1,50	-	-	-	275	258	238	-	260
	●	0,20	1,25	-	-	-	253	237	219	-	239
	●	0,20	1,00	-	-	-	217	203	188	-	205
S	●	0,10	0,84	-	80	73	-	-	63	50	-
	●	0,10	0,70	-	74	67	-	-	58	46	-
	●	0,10	0,60	-	63	57	-	-	49	40	-
H	●	0,10	0,75	-	-	-	58	53	-	-	53
	●	0,10	0,60	-	-	-	53	48	-	-	48
	●	0,10	0,45	-	-	-	45	41	-	-	41



a_e DCX	0,05	0,10	0,15	0,20	0,25	0,30	0,40	0,50	0,60	0,70	0,75	0,80	0,90	1,00
	1,48	1,35	1,27	1,22	1,19	1,16	1,11	1,08	1,05	1,03	1,02	1,01	0,99	0,98
	2,87	2,05	1,69	1,48	1,33	1,23	1,09	0,75	0,94	0,90	0,89	0,88	0,88	1,00
	0,64	0,64	0,64	0,64	0,64	0,65	0,65	0,67	0,68	0,71	0,72	0,74	0,79	1,00

	SNGX 11 - M	SNGX 11 - MM
RE	1,6	1,6
BS	-	-



		HFC													
DCX	AP	0,00	0,20	0,40	0,60	0,80	1,00	1,10	1,20	1,30	1,40	1,50	1,60	1,70	
32		18,30	19,53	20,76	21,99	23,22	24,46	25,07	25,69	26,30	26,92	27,53	28,15	28,76	
35		21,20	22,43	23,66	24,89	26,12	27,36	27,97	28,59	29,20	29,82	30,43	31,05	31,66	
40		26,20	27,43	28,66	29,89	31,12	32,36	32,97	33,59	34,20	34,82	35,43	36,05	36,66	
42		28,20	29,43	30,66	31,89	33,12	34,36	34,97	35,59	36,20	36,82	37,43	38,05	38,66	
50		36,10	37,33	38,56	39,79	41,02	42,26	42,87	43,49	44,10	44,72	45,33	45,95	46,56	
52		38,10	39,33	40,56	41,79	43,02	44,26	44,87	45,49	46,10	46,72	47,33	47,95	48,56	
63		49,10	50,33	51,56	52,79	54,02	55,26	55,87	56,49	57,10	57,72	58,33	58,95	59,56	
66		52,10	53,33	54,56	55,79	57,02	58,26	58,87	59,49	60,10	60,72	61,33	61,95	62,56	
80		66,10	67,33	68,56	69,79	71,02	72,26	72,87	73,49	74,10	74,72	75,33	75,95	76,56	
100		86,10	87,33	88,56	89,79	91,02	92,26	92,87	93,49	94,10	94,72	95,33	95,95	96,56	
115		101,10	102,33	103,56	104,79	106,02	107,26	107,87	108,49	109,10	109,72	110,33	110,95	111,56	
125		111,10	112,33	113,56	114,79	116,02	117,26	117,87	118,49	119,10	119,72	120,33	120,95	121,56	
		-	0,20	0,40	0,60	0,80	1,00	1,10	1,20	1,30	1,40	1,50	1,60	1,70	
		-	1,37	0,98	0,81	0,71	0,64	0,62	0,59	0,58	0,56	0,54	0,53	0,52	



SNGX

DCX	max	FX
32	5,0	0,25
35	5,0	0,25
40	5,2	0,30
42	5,2	0,30
50	5,3	0,30
52	5,3	0,30
63	5,4	0,30
66	5,4	0,30
80	5,5	0,35
100	5,5	0,35
115	5,5	0,35
125	5,5	0,35



SNGX (HFC)

DCX	RPMX	APMX/I
32	0,8	1,4/100
35	0,8	1,4/100
40	0,7	1,2/100
42	0,7	1,2/100
50	0,5	0,9/100
52	0,5	0,9/100
63	0,4	0,7/100
66	0,4	0,7/100
80	0,3	0,5/100
100	0,2	0,3/100
115	0,2	0,3/100
125	0,2	0,3/100



SNGX (HFC)

DCX	AP	FX
32	0,2	0,3
35	0,2	0,3
40	0,2	0,3
42	0,2	0,3
50	0,3	0,4
52	0,3	0,4
63	0,3	0,4
66	0,3	0,4
80	0,3	0,4
100	0,3	0,4
115	0,3	0,4
125	0,3	0,4



DCX	μm	3	5	10	15	20	30	40	50	60	80	100
32		0,620	0,800	1,131	1,386	1,600	1,960	2,263	2,530	2,771	3,200	3,578
35		0,648	0,837	1,183	1,449	1,673	2,049	2,366	2,646	2,898	3,347	3,742
40		0,693	0,894	1,265	1,549	1,789	2,191	2,530	2,828	3,098	3,578	4,000
42		0,710	0,917	1,296	1,587	1,833	2,245	2,592	2,898	3,175	3,666	4,099
50		0,775	1,000	1,414	1,732	2,000	2,449	2,828	3,162	3,464	4,000	4,472
52		0,790	1,020	1,442	1,766	2,040	2,498	2,884	3,225	3,533	4,079	4,561
63		0,869	1,122	1,587	1,944	2,245	2,750	3,175	3,550	3,888	4,490	5,020
66		0,890	1,149	1,625	1,990	2,298	2,814	3,250	3,633	3,980	4,596	5,138
80		0,980	1,265	1,789	2,191	2,530	3,098	3,578	4,000	4,382	5,060	5,657
100		1,095	1,414	2,000	2,449	2,828	3,464	4,000	4,472	4,899	5,657	6,325
115		1,175	1,517	2,145	2,627	3,033	3,715	4,290	4,796	5,254	6,066	6,782
125		1,225	1,581	2,236	2,739	3,162	3,873	4,472	5,000	5,477	6,325	7,071



SNGX

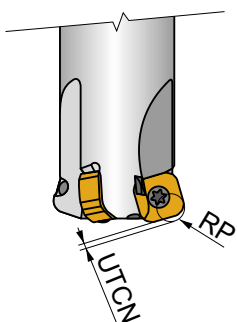
AP	0,2	0,5	1,0	1,7
FX	1,20	1,00	0,50	0,25



SNGX (HFC)

DCX	d _{min}	d _{max}	S _{max} d _{min}	S _{max} d _{max}
32	48,0	63,8	0,7	1,4
35	54,0	69,8	0,8	1,5
40	64,0	79,8	0,9	1,5
42	68,0	83,8	1,0	1,6
50	84,0	99,8	0,9	1,4
52	88,0	103,8	1,0	1,4
63	109,0	125,8	1,0	1,4
66	115,0	131,8	1,1	1,4
80	143,0	159,8	1,0	1,3
100	183,0	199,8	0,9	1,1
115	213,0	229,8	1,1	1,3
125	233,0	249,8	1,2	1,4

i



SNGX	RP	UTCN
	[mm]	[mm]
SNGX 110416	4,6	0,92

NEW F GEOMETRY FOR VIBRATION SENSITIVE MACHINING

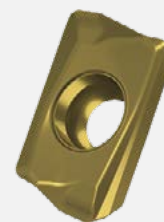
Our popular family of productive milling tools has been extended with a new F geometry for light machining of austenitic stainless steels and low carbon steels.

FEATURES & BENEFITS

- High positive geometry
- Narrow peripheral land
- Edge honing reduction
- Helical cutting edges
- Primarily for shoulder and slot milling, ramping and helical interpolation, plunging and progressive plunging
- Also suitable for face and copy milling
- **Permits machining with longer overhang** - reduced vibration and noise
- **Prevents work hardening** – 20 % lower cutting forces compared to M geometry
- **Improved surface finish** – smooth machining provides burr-free surfaces
- **Reduced chip-evacuation forces** - particularly for slot milling
- **Higher durability** – especially for austenitic stainless steel



INSERT GEOMETRIES



NEW

F

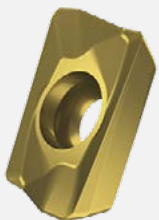
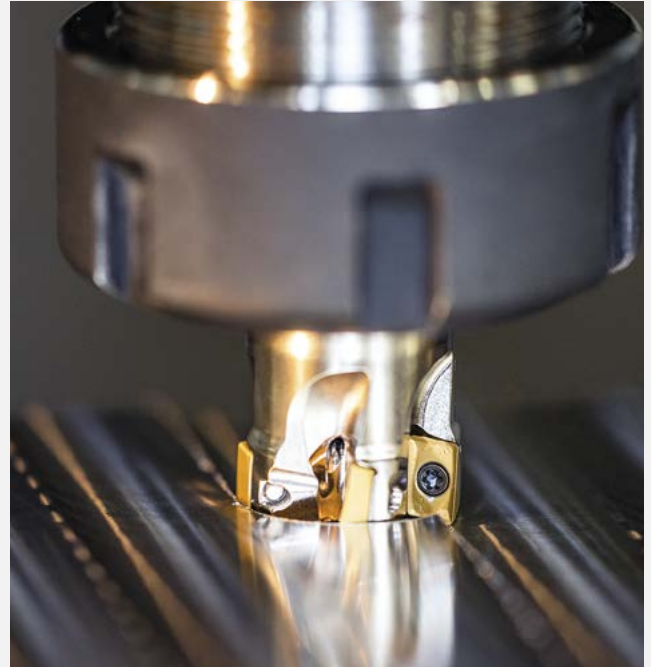
GEOMETRY F

- First choice for vibration sensitive components
- Austenitic stainless steels and low carbon steels

MACHINING EXAMPLE

Material: 316L
 Material group: M
 Insert: ADMX070204SR-F:M6330
 Tool: 20A4R020A20-SAD07D-C
 Coolant: No

Operation		Shoulder milling	
Cutting speed	V_c	m/min	210
Feed per tooth	f_z	mm	0,06
Feed per minute	f	mm/min	201
Axial depth of cut	a_p	mm	2
Radial depth of cut	a_e	mm	12
Roughness	R_a	μm	0,42



M

GEOMETRY M

- First choice for universal conditions
- Steels, stainless steels and cast iron
- New radii 1,2 and 1,6



FA

GEOMETRY FA

- Non-ferrous materials



HF

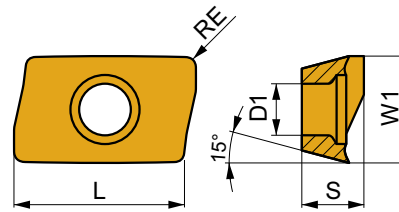
GEOMETRY HF

- High feed milling

ADMX 07



	W1	D1	L	S
0702	4,482	2,20	6,95	2,48

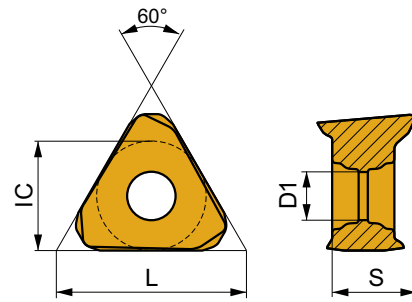


i	↖	ISO	[Texture]	P	M	K	N	S	H	[?]	[Drop]	RE	FN	FX	APMN	APMX	
	ADMX 070202SR-F	M8330	■	■	■	■	■	■	■	●	-	0,2	0,02	0,10	0,1	5,0	
		M8340	■	■	■	■	■	■	■	■	●	+/-	0,2	0,02	0,10	0,1	5,0
	ADMX 070204SR-F	M9340	■	■	■	■	■	■	■	■	●	---	0,4	0,02	0,08	0,1	5,0
		M6330	■	■	■	■	■	■	■	■	●	-	0,4	0,02	0,10	0,1	5,0
		M8310	■	■	■	■	■	■	■	■	●	-	0,4	0,02	0,10	0,1	5,0
		M8330	■	■	■	■	■	■	■	■	●	-	0,4	0,02	0,10	0,1	5,0
	ADMX 070208SR-F	M8340	■	■	■	■	■	■	■	■	●	+/-	0,4	0,02	0,10	0,1	5,0
		M6330	■	■	■	■	■	■	■	■	●	-	0,8	0,02	0,10	0,1	5,0
		M8310	■	■	■	■	■	■	■	■	●	-	0,8	0,02	0,10	0,1	5,0
		M8330	■	■	■	■	■	■	■	■	●	-	0,8	0,02	0,10	0,1	5,0
ADMX 070212SR-M	M8340	■	■	■	■	■	■	■	■	●	+/-	1,2	0,03	0,12	0,1	5,0	
	ADMX 070216SR-M	M8310	■	■	■	■	■	■	■	■	●	-	1,6	0,03	0,12	0,1	5,0
		M8330	■	■	■	■	■	■	■	■	●	-	1,6	0,03	0,12	0,1	5,0
		M8340	■	■	■	■	■	■	■	■	●	+/-	1,6	0,03	0,12	0,1	5,0

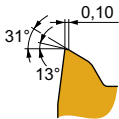
TNGX 10

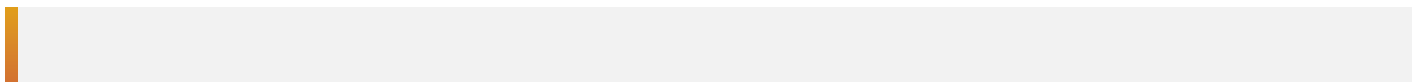


	IC	D1	L	S
100412	6,000	2,80	10,40	4,61
100416	6,000	2,80	10,40	4,54



i	ISO	M	P	M	K	N	S	H	?	?	RE	FN	FX	APMN	APMX
 	TNGX 100412SR-M	M8330	■	▣	▣	▣	▣	▣	●	-	1,2	0,05	0,15	0,3	5,0
		M8340	■	■	▣	▣	▣	▣	●	+/-	1,2	0,05	0,15	0,3	5,0
	TNGX 100416SR-M	M8310	■	▣	▣	▣	▣	▣	●	-	1,6	0,05	0,15	0,3	5,0
		M8330	■	▣	▣	▣	▣	▣	●	-	1,6	0,05	0,15	0,3	5,0
		M8340	■	■	▣	▣	▣	▣	●	+/-	1,6	0,05	0,15	0,3	5,0





SIMPLY RELIABLE

As a professional you can judge the quality of work by just looking at the chip. Our chip is a clean and uncomplicated shape that in itself tells a story. It is a clear and consistent signal and that's why we use it as a symbol for being **Simply Reliable**.

Argentina

T: 54 (11) 6777-6777
F: 54 (11) 4441-4467
info.ar@dormerpramet.com

Austria

T: +31 10 2080 240
info.at@dormerpramet.com

Belgium & Luxembourg

T: +32 3 440 59 01
info.be@dormerpramet.com

Brazil

T: +55 11 5660 3000
info.br@dormerpramet.com

Canada

T: (888) 336 7637
En Français: (888) 368 8457
F: (905) 542 7000
cs.canada@dormerpramet.com

China

T: +86 21 2416 0508
info.cn@dormerpramet.com

Croatia

T: +385 98 407 489
info.hr@dormerpramet.com

Czech Republic

T: +420 583 381 111
F: +420 583 215 401
info.cz@dormerpramet.com

Denmark

T: 808 82106
info.se@dormerpramet.com

Finland

T: 0205 44 7003
info.fi@dormerpramet.com

France

T: +33 (0)2 47 62 57 01
F: +33 (0)2 47 62 52 00
info.fr@dormerpramet.com

Germany

T: +49 9131 933 08 70
F: +49 9131 933 08 742
info.de@dormerpramet.com

Hungary

T: +36-96 / 522-846
F: +36-96 / 522-847
info.hu@dormerpramet.com

India

T: +91 11 4601 5686
info.in@dormerpramet.com

Italy

T: +39 02 30 70 54 44
info.it@dormerpramet.com

Kazakhstan

T: +7 771 305 11 45
info.kz@dormerpramet.com

Mexico

T: +52 (555) 7293981
F: +52 (555) 7293981
cs.mexico@dormerpramet.com

Netherlands

T: +31 10 2080 240
info.nl@dormerpramet.com

Norway

T: 800 10 113
info.se@dormerpramet.com

Poland

T: +48 32 78-15-890
F: +48 32 78-60-406
info.pl@dormerpramet.com

Portugal

T: +351 21 424 54 21
info.pt@dormerpramet.com

Romania

T: +4(0)730 015 885
info.ro@dormerpramet.com

Russia

T: +7 (495) 775 10 28
Φ: +7 (499) 763 38 90
info.ru@dormerpramet.com

Slovakia

T: +421 (41) 764 54 60
F: +421 (41) 763 74 49
info.sk@dormerpramet.com

Slovenia

T: +385 98 407 489
info.si@dormerpramet.com

Spain

T: +34 935717722
info.es@dormerpramet.com

Sweden responsible for Iceland

T: +46 35 16 52 96
info.se@dormerpramet.com

Switzerland

T: +31 10 2080 240
info.ch@dormerpramet.com

Turkey

T: +90 533 212 45 47
info.tr@dormerpramet.com

Ukraine

T: +38 056 736 30 21
F: +38 067 220 97 48
info.ua@dormerpramet.com

United Kingdom

responsible for Ireland
T: 0870 850 4466
F: 0870 850 8866
info.uk@dormerpramet.com

United States of America

T: (800) 877-3745
F: (847) 783-5760
cs@dormerpramet.com

Other countries

South America

T: +55 11 5660 3000
info.br@dormerpramet.com

Adria

T: +420 583 381 527
F: +420 583 381 401
info.rcee@dormerpramet.com

Rest of the World

Dormer Pramet International UK
T: +44 1246 571338
F: +44 1246 571339
info.int@dormerpramet.com

Dormer Pramet International CZ

T: +420 583 381 520
F: +420 583 215 401
info.int.cz@dormerpramet.com



881070

PRA-BRO-NEWS-2020-EN